

Service
Service
Service



Service Manual



TABLE OF CONTENTS

Location of PC Boards	1-1	Decoder Board	8
Specification	1-2	Circuit diagram	8-1 to 8-4
Measurement Setup	1-3	Layout diagram	8-5 to 8-6
Service Aids	1-4	Explode View	9-1
Instruction On CD Playability	1-5 to 1-6	Service Partlist	10-1 to 10-2
Software Version Check & Upgrade	2-1	Factory Partlist	11-1 to 11-4
Malfuction Check Chart	2-2		
Disassembly Diagram	3-1		
Block Diagram	4-1		
Wiring Diagram.....	4-2		
VFD Display Board	5		
Circuit diagram	5-1		
Layout diagram	5-2		
USB & M-boy Board	6-1		
TUNER Board	7		
Circuit diagram	7-1		
Layout diagram	7-2		



© Copyright 2008 Philips Consumer Electronics B.V. Eindhoven, The Netherlands
All rights reserved. No part of this publication may be reproduced, stored in a retrieval system or transmitted, in any form or by any means, electronic, mechanical, photocopying, or otherwise without the prior permission of Philips.

Published by DB 0829 Service Audio Printed in The Netherlands Subject to modification

© 3141 785 33040

Version 1.0



Specification

AMPLIFIER

Rated Output Power 2 x 25W RMS
 Signal-to-noise ratio ≥ 65 dBA
 Frequency response 50Hz - 3 dB+/-3 20KHz
 Aux Input 0.5V RMS 47kohm

DISC

Laser Type Semiconductor
 Disc Diameter 12cm/8cm
 Support Disc
 CD-DA, CD-RW, CD-R, MP3
 Audio DAC 24Bits / 44.1kHz
 Total Harmonic Distortion <0.1%(1kHz)
 Frequency Response 50Hz - 3dB+/-3 20KHz
 S/N Ration ≥ 65 dBA

TUNER

FM Tuning Range 87.5 – 108 MHz
 Tuning grid 100K/50KHz

Sensitivity

– Mono, 50dB S/N Ratio 5u V
 – Stereo, 46dB S/N Ratio 100uV
 Selectivity >28dB
 Image Rejection >25dB
 Total Harmonic Distortion <3%
 Signal to Noise Ration >65dBA

SPEAKERS

Speaker Impedance 4ohm
 Speaker Driver, base 3.5"
 Speaker Driver, tweeter 4ohm/5W
 Frequency Response 50Hz -3dB+/-3 20KHz

GENERAL INFORMATION

Total Output power 50W RMS
 AC Power 220-230 V / 50Hz
 Operation Power Consumption 25W
 Standby Power Consumption <4W
 Eco Standby Power Consumption <1W
 Headphone Output NA
 USB Direct Version 1.1

Dimensions

– Main unit (w x h x d) 158.7x66.5x250.2mm
 – Speaker box (w x h x d) 206x170x270mm

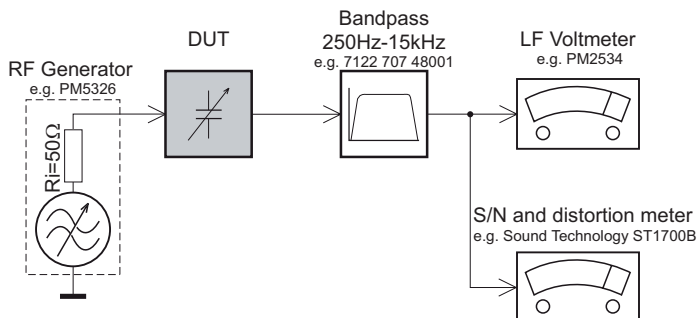
Weight

– With Packing 7.5 KG
 – Main Unit 1.47KG
 – Speaker box 3.71KG
 Net Weight 6.5KG

Specifications and external appearance are subject to change without notice.

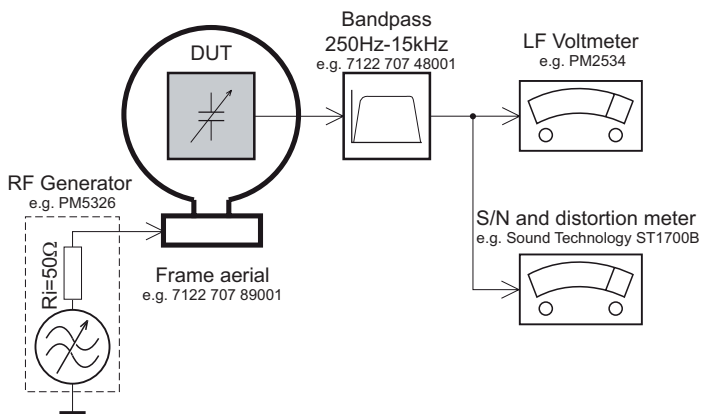
MEASUREMENT SETUP

Tuner FM



Use a bandpass filter to eliminate hum (50Hz, 100Hz) and disturbance from the pilotone (19kHz, 38kHz).

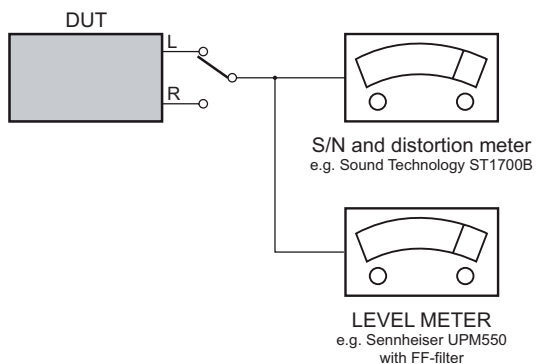
Tuner AM (MW,LW)



To avoid atmospheric interference all AM-measurements have to be carried out in a Faraday's cage. Use a bandpass filter (or at least a high pass filter with 250Hz) to eliminate hum (50Hz, 100Hz).

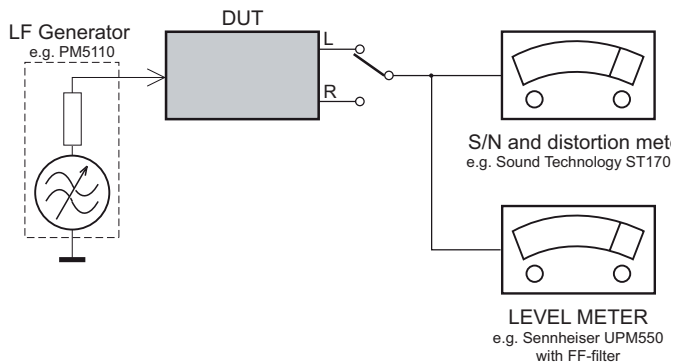
CD

Use Audio Signal Disc SBC429 4822 397 30184 (replaces test disc 3)



Recorder

Use Universal Test Cassette Cr02 SBC419 4822 397 30069 or Universal Test Cassette Fe SBC420 4822 397 30071



SERVICE AIDS

GB WARNING

All ICs and many other semi-conductors are susceptible to electrostatic discharges (ESD). Careless handling during repair can reduce life drastically.


When repairing, make sure that you are connected with the same potential as the mass of the set via a wrist wrap with resistance. Keep components and tools also at this potential.

ESD



GB

Safety regulations require that the set be restored to its original condition and that parts which are identical with those specified, be used

Safety components are marked by the symbol .

**CLASS 1
LASER PRODUCT**

INFORMATION ABOUT LEAD-FREE SOLDERING

Philips CE is producing lead-free sets from 1.1.2005 onwards.

IDENTIFICATION:

Regardless of special logo (not always indicated) one must treat all sets from 1 Jan 2005 onwards, according next rules:



- On our website www.atyourservice.ce.Philips.com you find more information to:
 - * BGA-de-/soldering (+ baking instructions)
 - * Heating-profiles of BGAs and other ICs used in Philips-sets
 - * Lead free

You will find this and more technical information within the "magazine", chapter "workshop news".

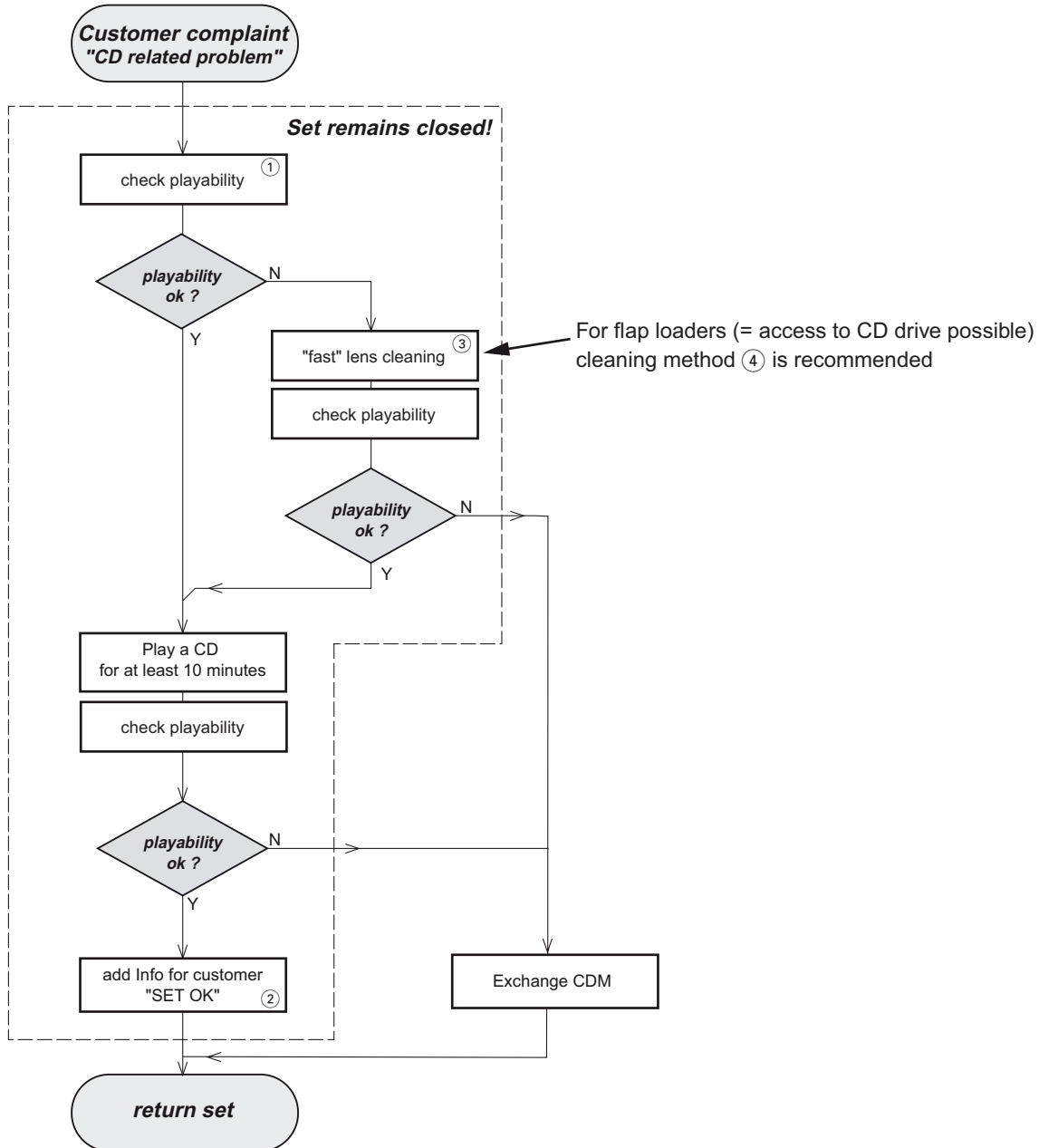
For additional questions please contact your local repair-helpdesk.

SERVICE INSTRUCTION

Safety regulations require that after a repair, the set must be returned in its original condition. Pay in particular attention to the following points:

- Route the wire trees correctly and fix them with the mounted cable clamps.
- Check the insulation of the AC Power lead for external damage.
- Check the strain relief of the AC Power cord for proper function.
- Check the electrical DC resistance between the AC Power Plug and the secondary side (only for sets which have a AC Power isolated power supply):
 1. Unplug the AC Power cord and connect a wire between the two pins of the AC Power plug.
 2. Set the AC Power switch to the "on" position (keep the AC Power cord unplugged!).
 3. Measure the resistance value between the pins of the AC Power plug and the metal shielding of the tuner or the aerial connection on the set. The reading should be larger than 4.5 Mohm (For U.S. it should be between 4.2 Mohm and 12 Mohm).
 4. Switch "off" the set, and remove the wire between the two pins of the AC Power plug.
- Check the cabinet for defects, to avoid touching of any inner parts by the customer.

INSTRUCTIONS ON CD PLAYABILITY



① - ④ For description - see following pages

INSTRUCTIONS ON CD PLAYABILITY

①

PLAYABILITY CHECK

For sets which are compatible with **CD-RW** discs
 use CD-RW Printed Audio Disc7104 099 96611
 TR 3 (Fingerprint)
 TR 8 (600µ Black dot) **maximum at 01:00**

- playback of these two tracks without audible disturbance
 playing time for: Fingerprint ≥ 10 seconds
 Black dot from 00:50 to 01:10
- jump forward/backward (search) within a reasonable time

For all other sets
 use CD-DA SBC 444A4822 397 30245
 TR 14 (600µ Black dot) **maximum at 01:15**
 TR 19 (Fingerprint)
 TR 10 (1000µ wedge)

- playback of all these tracks without audible disturbance
 playing time for: 1000µ wedge ≥ 10 seconds
 Fingerprint ≥ 10 seconds
 Black dot from 01:05 to 01:25
- jump forward/backward (search) within a reasonable time

②

CUSTOMER INFORMATION

It is proposed to add an addendum sheet to the set which informs the customer that the set has been checked carefully - but no fault was found.

The problem was obviously caused by a scratched, dirty or copy-protected CD. In case problems remain, the customer is requested to contact the workshop directly.

The lens cleaning (method ③) should be mentioned in the addendum sheet.

The final wording in national language as well as the printing is under responsibility of the Regional Service Organizations.

④

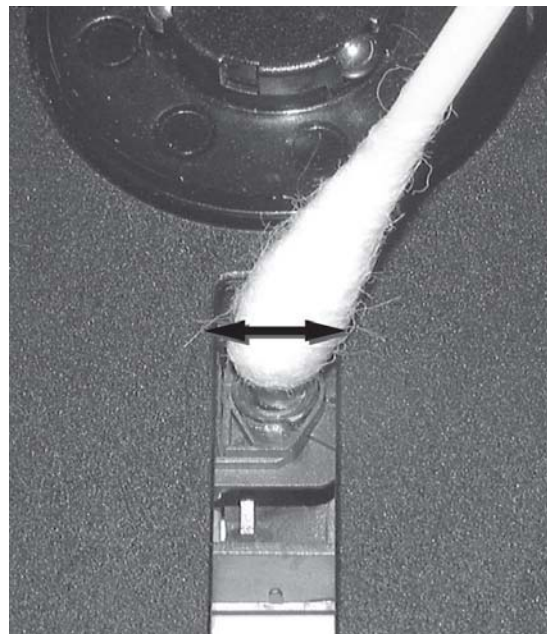
LIQUID LENS CLEANING

Before touching the lens it is advised to clean the surface of the lens by blowing clean air over it. This to avoid that little particles make scratches on the lens.

Because the material of the lens is synthetic and coated with a special anti-reflectivity layer, cleaning must be done with a non-aggressive cleaning fluid. It is advised to use "Cleaning Solvent

The actuator is a very precise mechanical component and may not be damaged in order to guarantee its full function. Clean the lens gently (don't press too hard) with a soft and clean cotton bud moistened with the special lens cleaner.

The direction of cleaning must be in the way as indicated in the picture below.



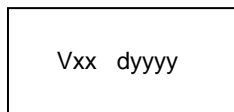
Software Version Check & Upgrade

Upgrade software

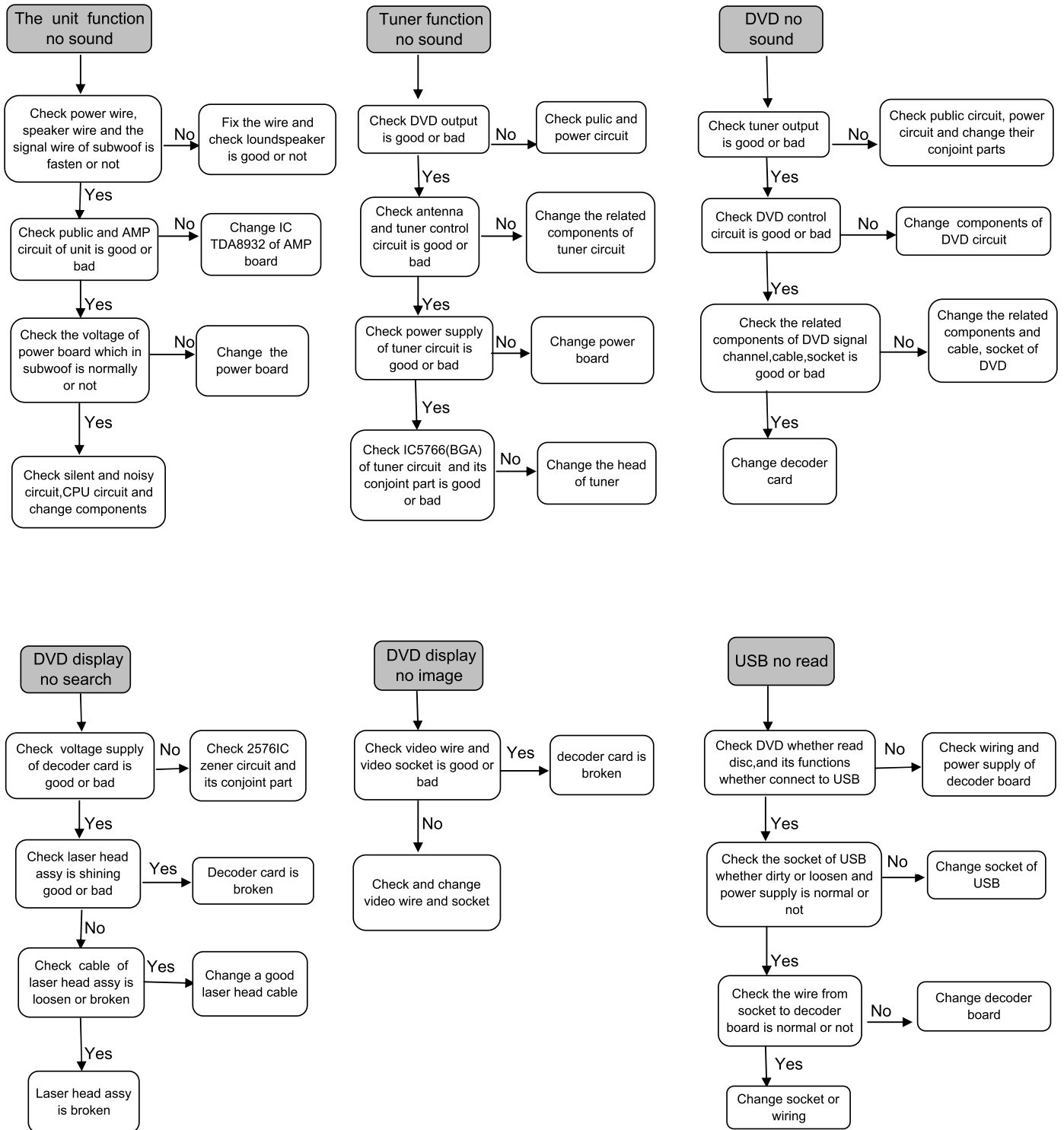
1. Downloading the software from Philips support website
<http://www.philips.com/support>
2. Put in the Software CD Disc or USB, when it is loading
One minute later, a long ding voice will be heard. Software upgrade finish.

Software check

Press the "display" button continuously on remote control, display showing as below:

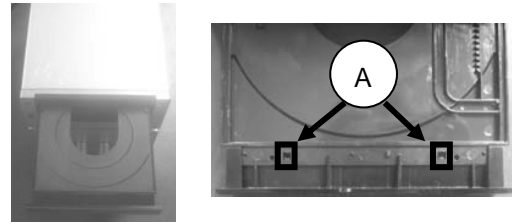


Malfunction follow check chart

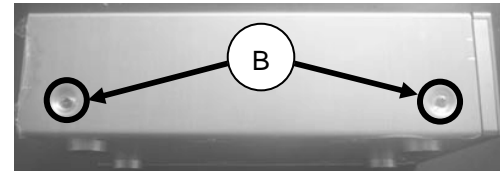


Disassembly Diagram

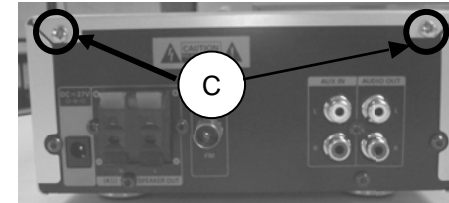
A. Turn on electrical source to open the CD tray; after that, turn off electrical source. Use an ironbound thimble to pry up the CD door (see the sign A).



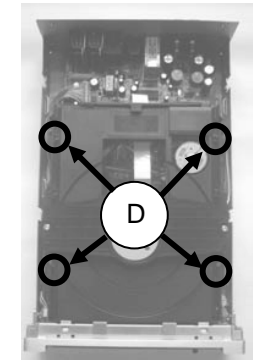
B. Loosen screws of the top cover both sides (see the sign B: screw 3x6 TMTT plate)



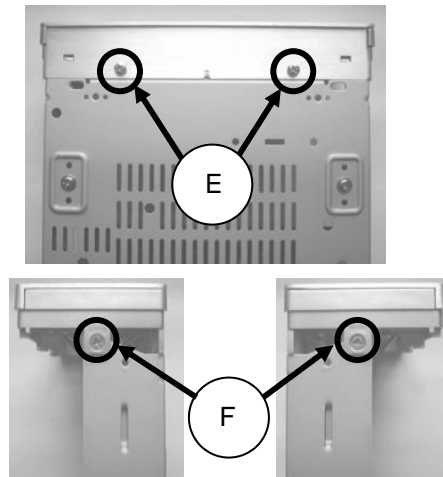
C. Loosen screws of the top cover back side (see the sign C: screw 3x6 PMTT plate)



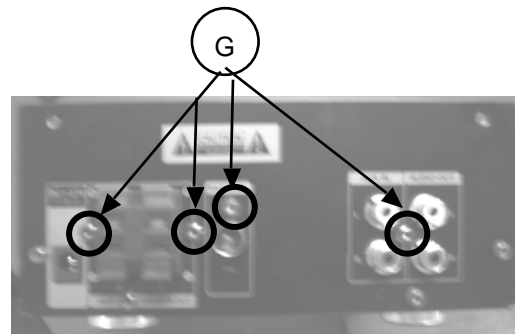
D. Loosen screws to remove the CD tray (see the sign D: screw 3x10 PWA plate)



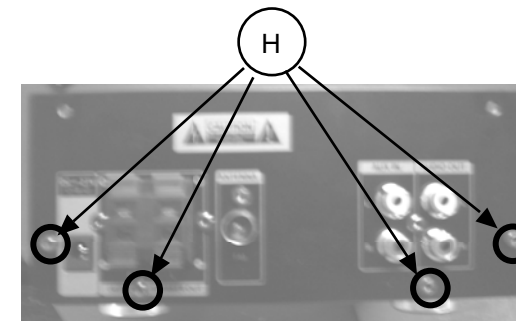
E. Loosen screws to remove CD front cabinet. (see the sign E&F: screw 3x5 BMTT plate / screw 3x5 FMTT).



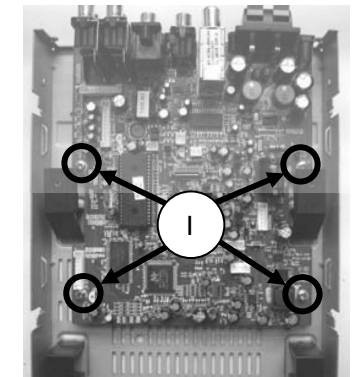
G. Loosen screws to remove the decoder board. (see the sign G: screw 3x10 PBH plate & screw 3x6 PMTT plate).



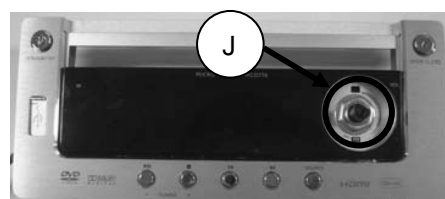
H. Loosen screws to remove the back panel. (see the sign H: screw 3x6 PMTT plate).



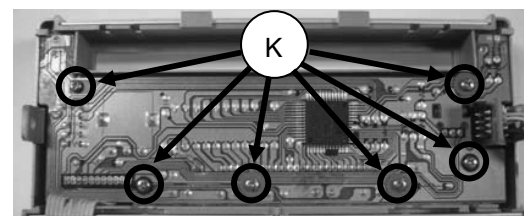
I. Loosen screws to take out the decoder board. (see the sign I: screw 3x5 BM plate).



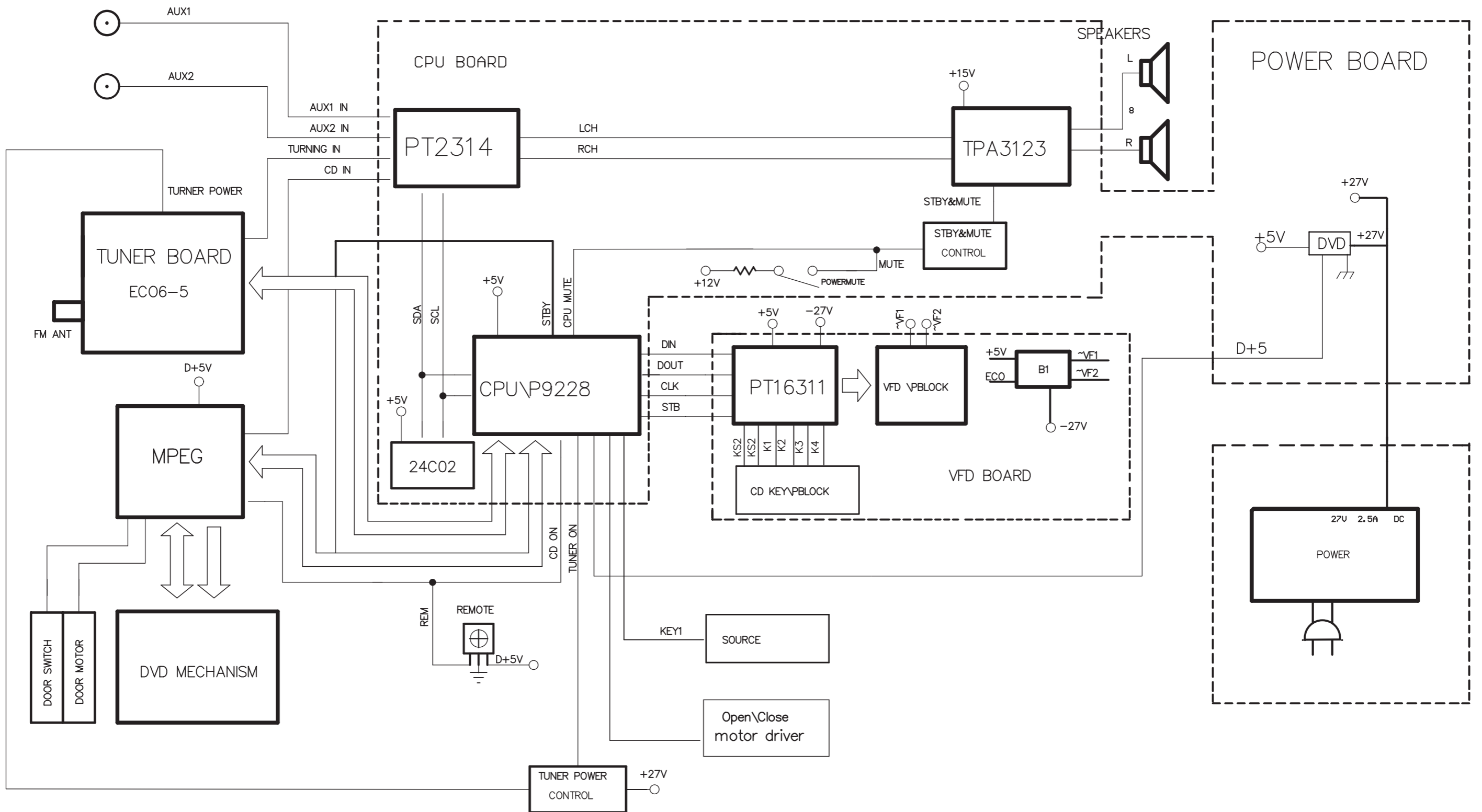
J. Loosen nut to remove the display board. (see the sign J).



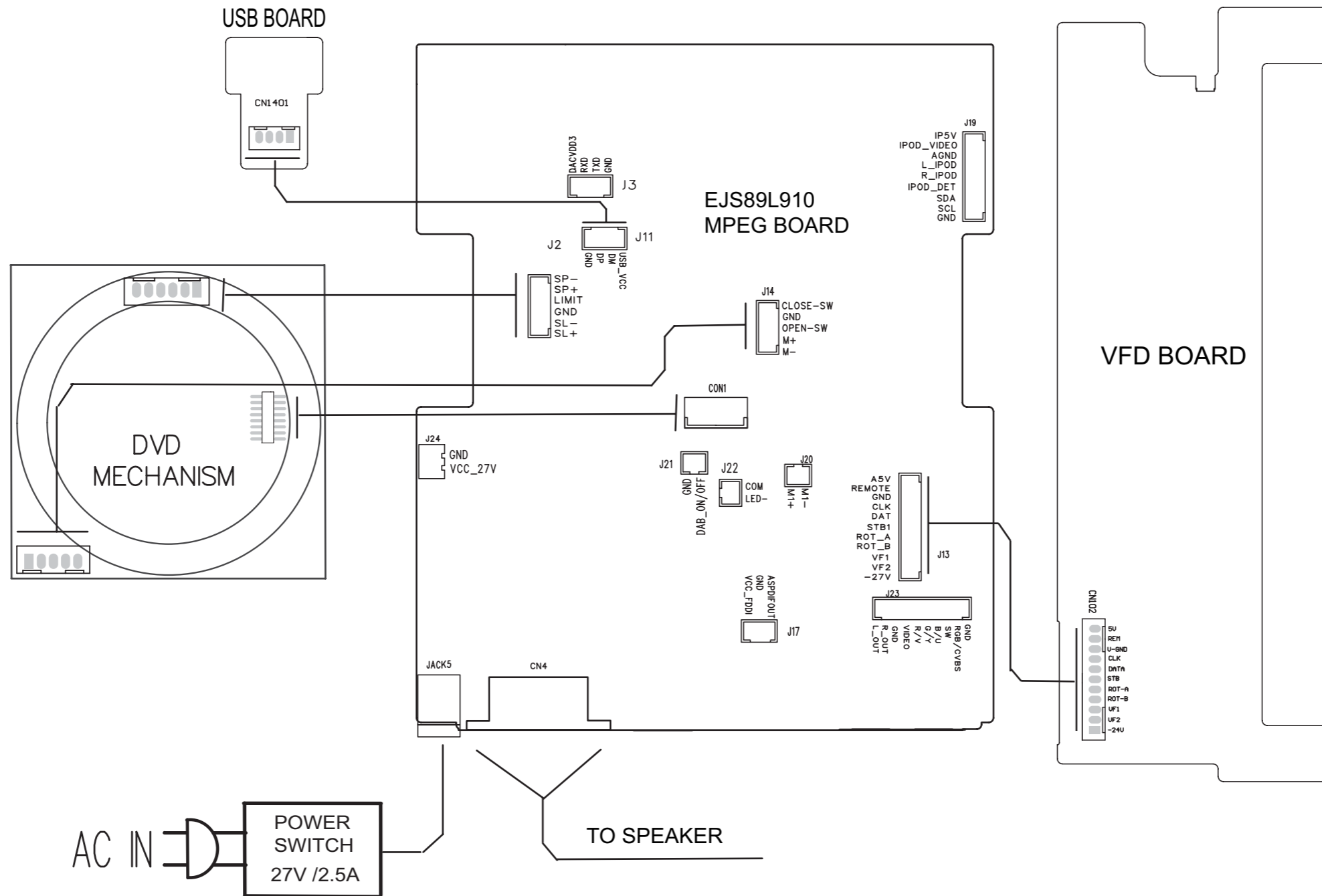
K. Loosen screws to remove the display board. (see the sign K: screws 2.6x8 PA plate).



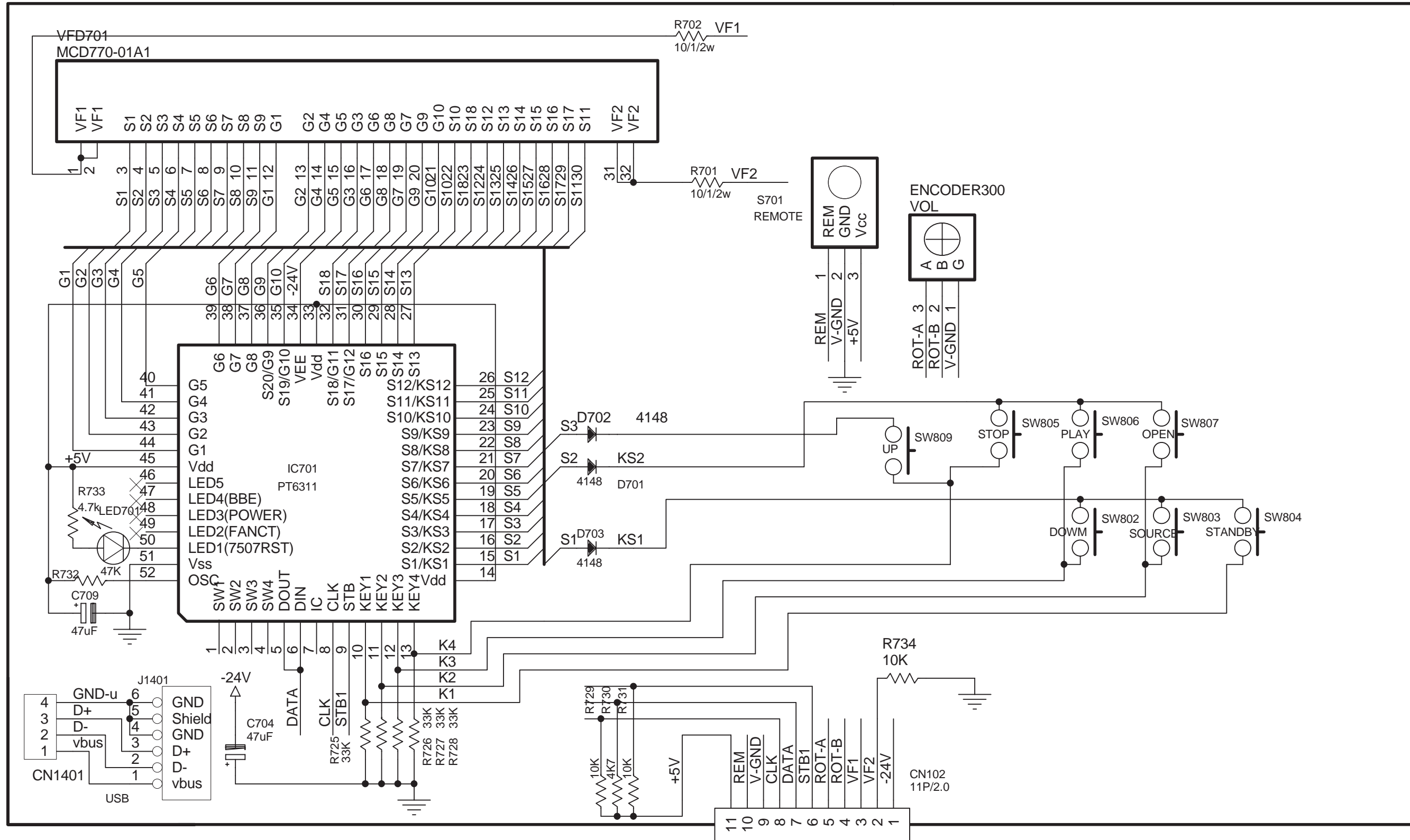
Block Diagram



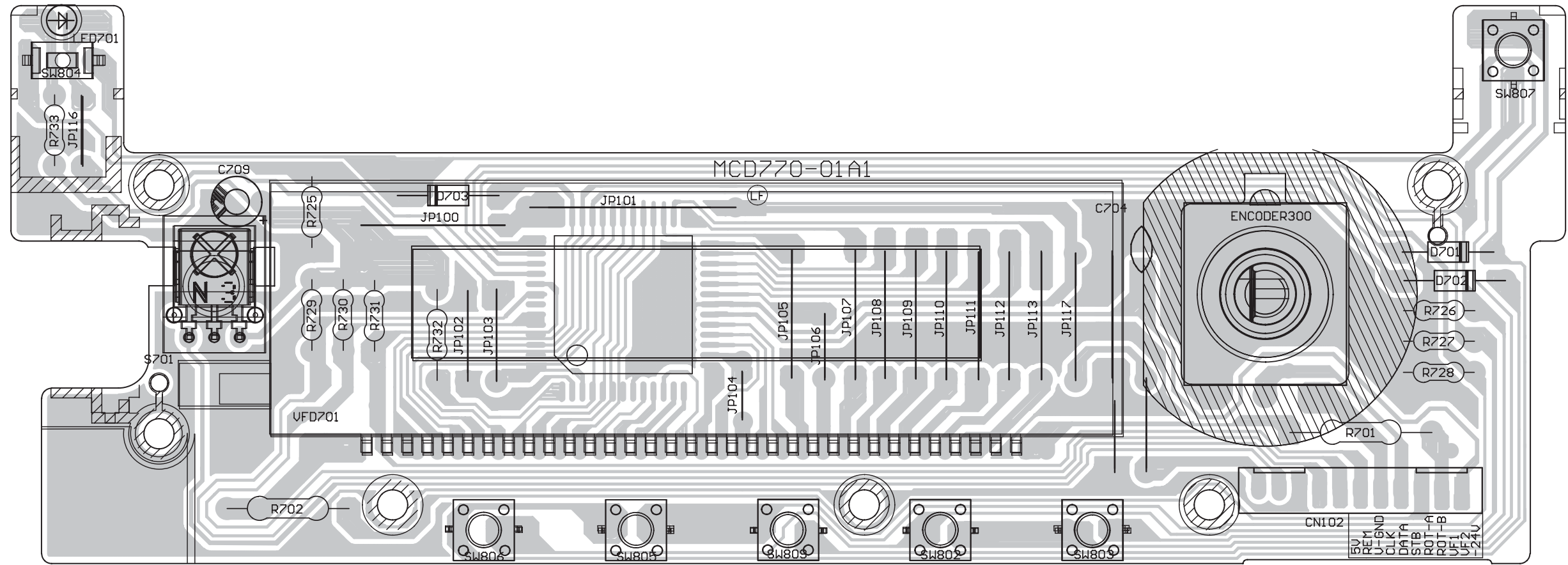
Wiring Diagram



VFD Display Board--Circuit Diagram

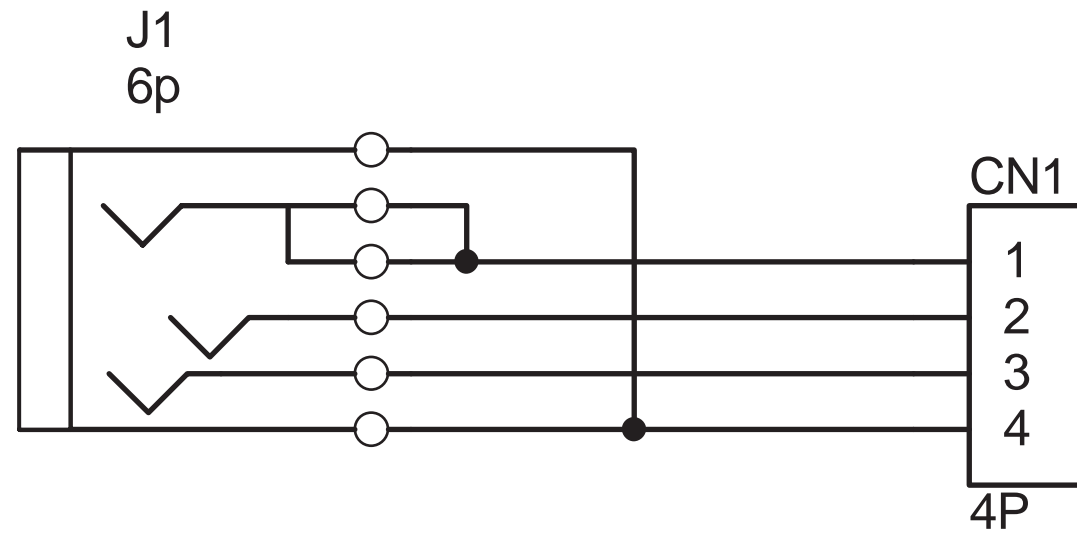


VFD Display Board--Layout Diagram

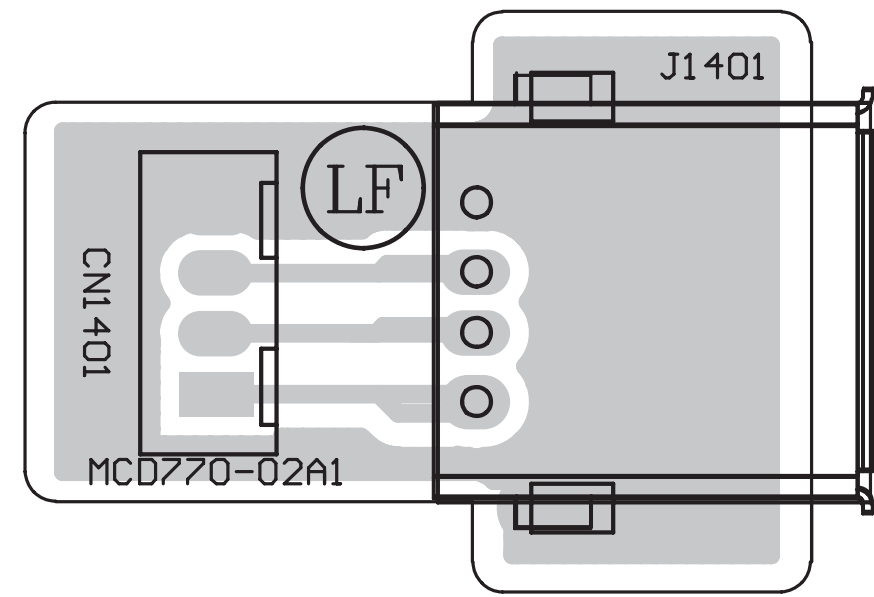
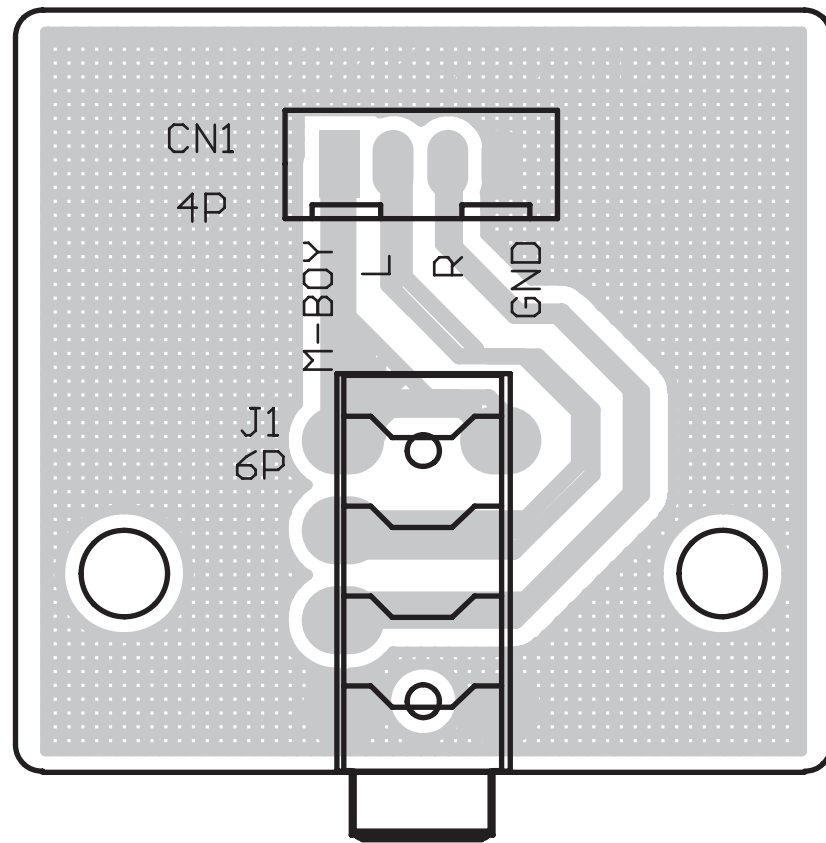
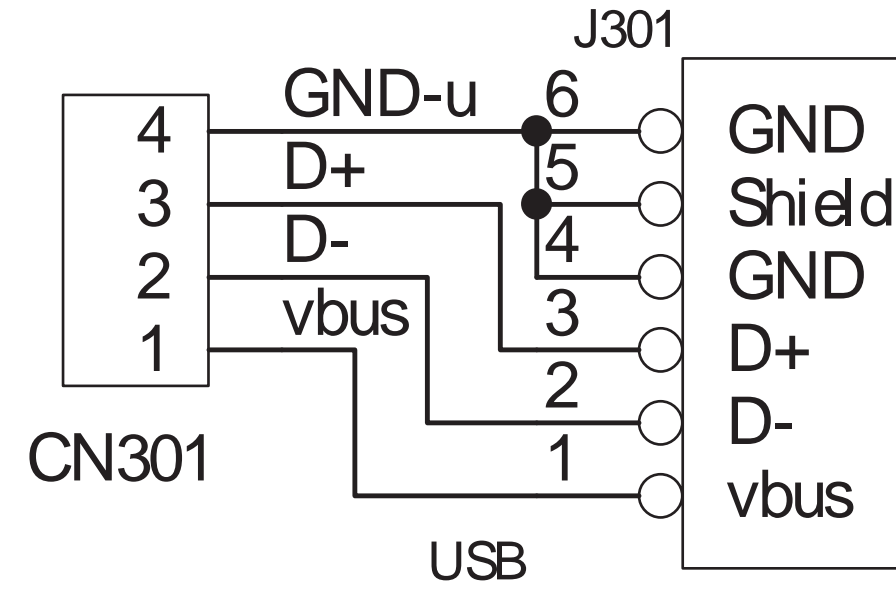


USB & M-boy Board--Circuit & Layout diagram

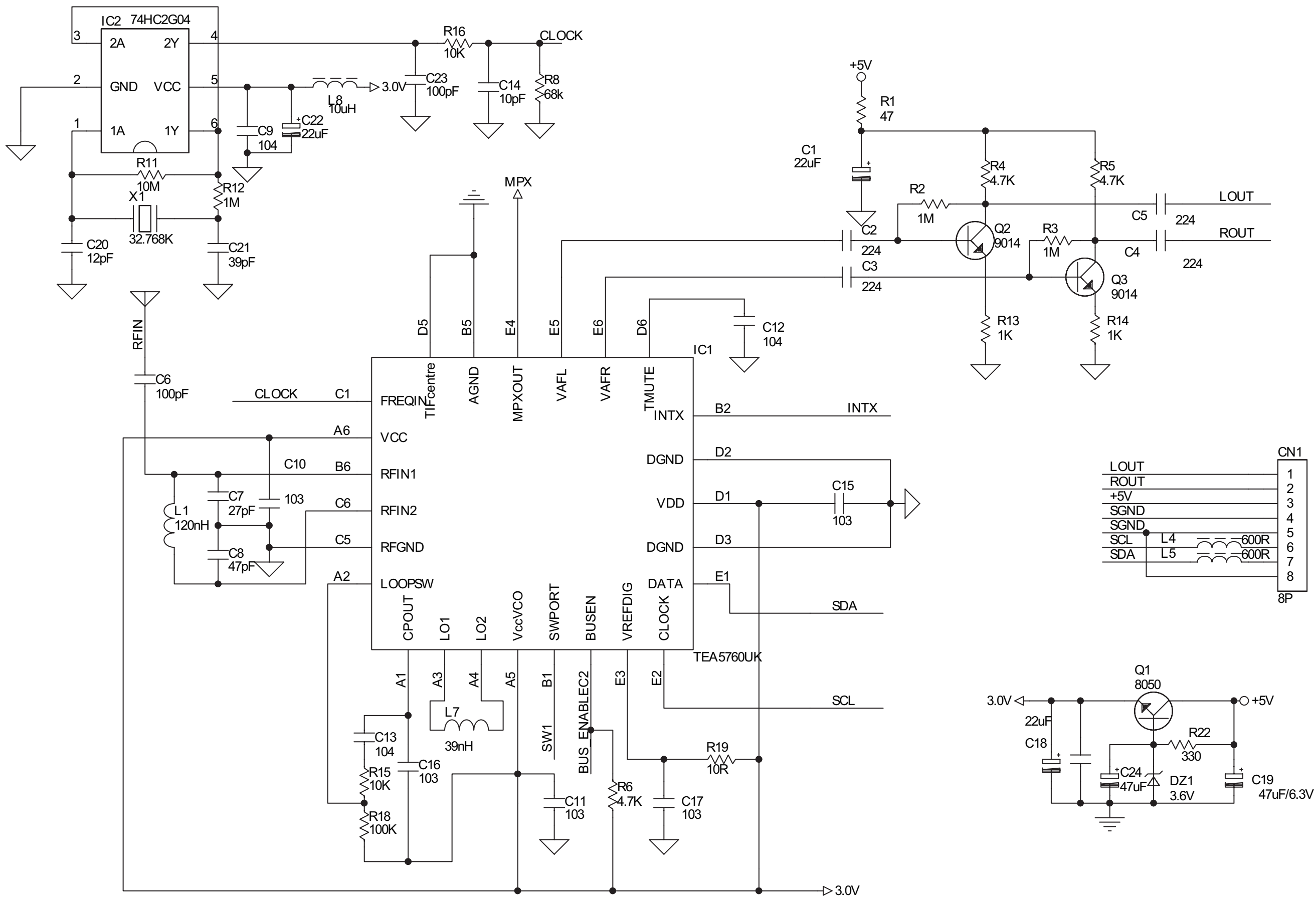
M-boy BOARD



USB BOARD

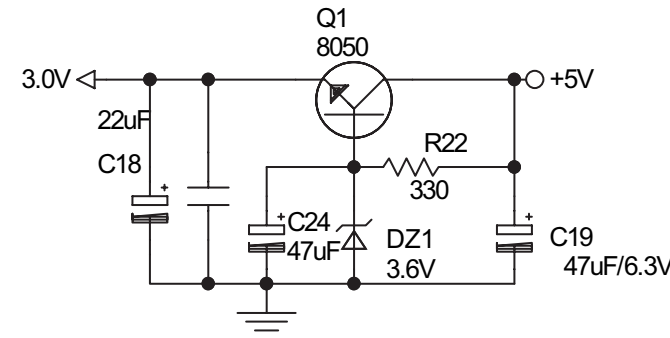


Tuner Board-Circuit Diagram

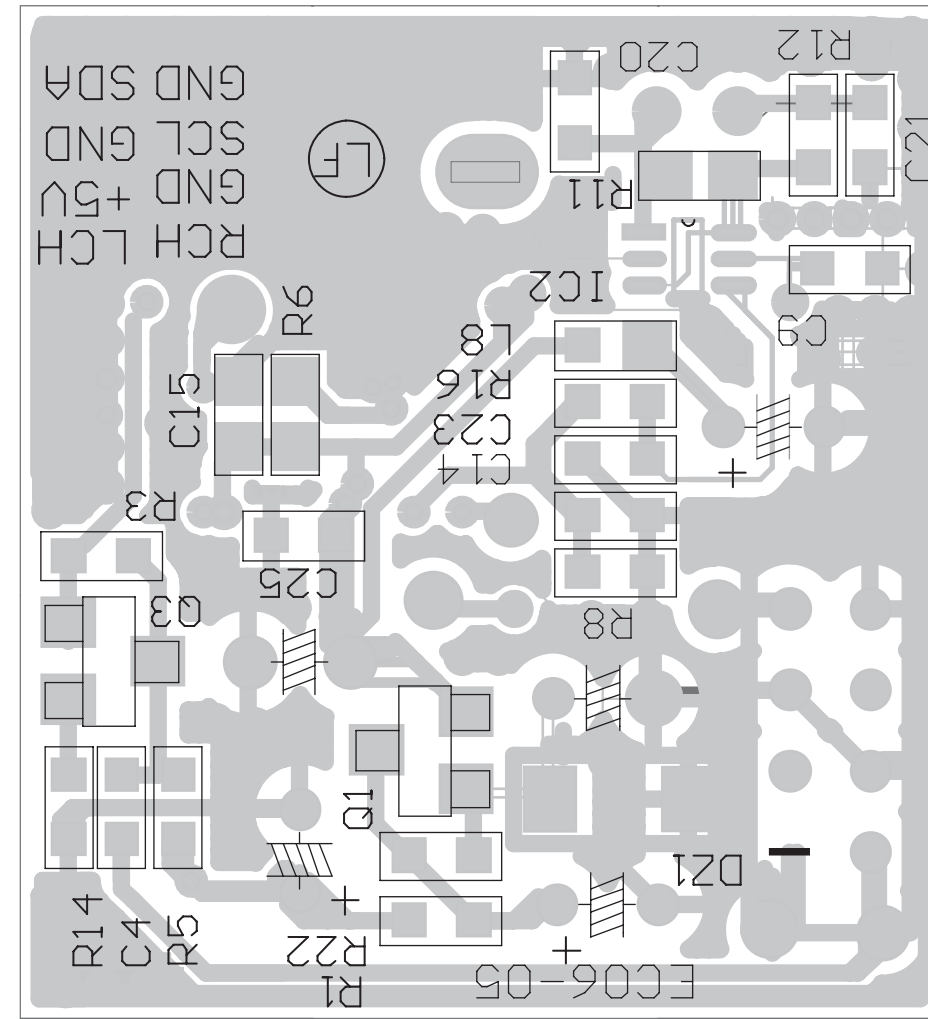
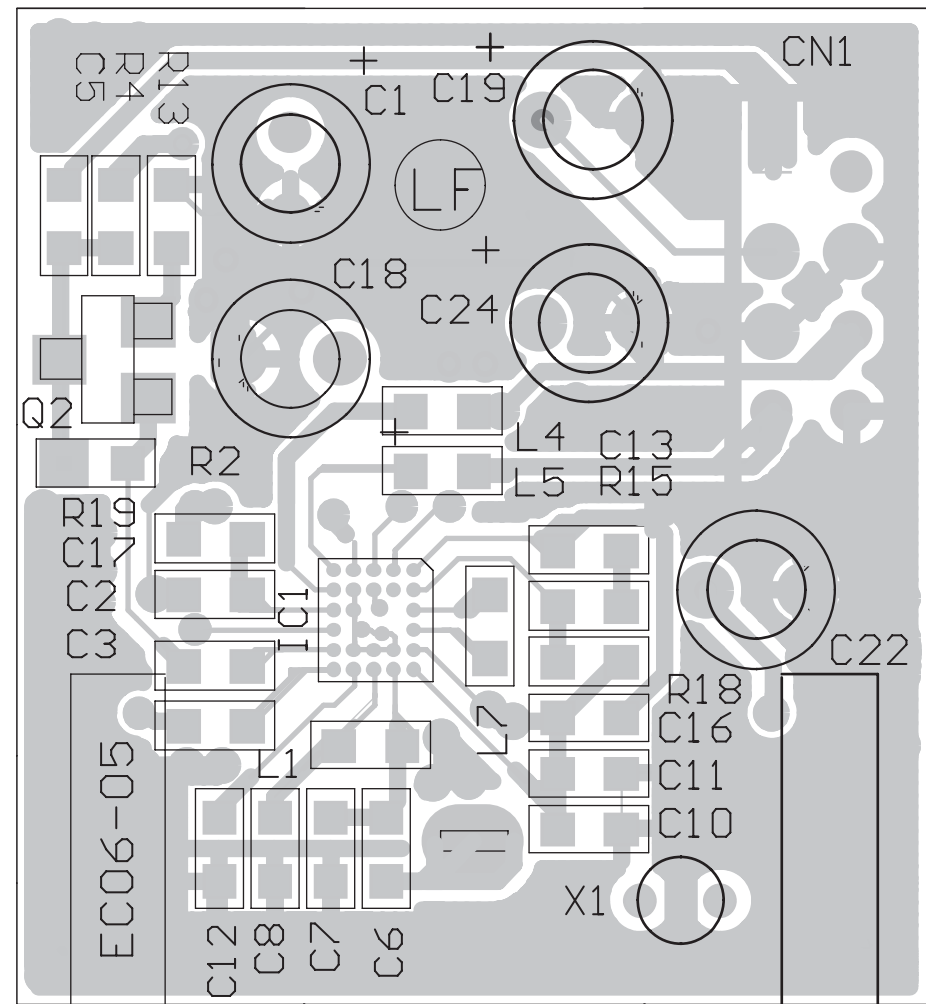


Signal	Pin
LOUT	1
ROUT	2
+5V	3
SGND	4
SGND	5
SCL	6
SDA	7
	8

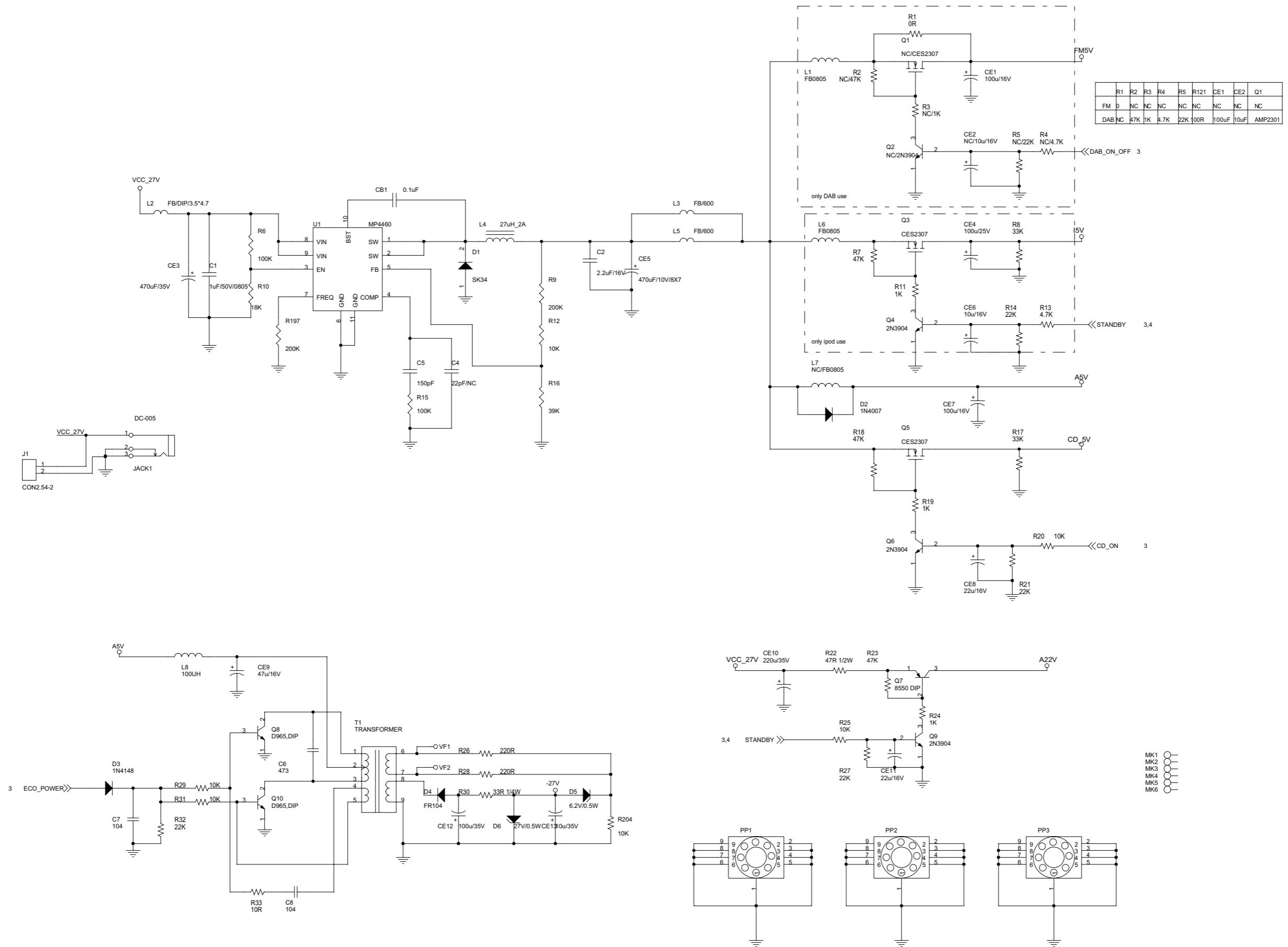
8P



Tuner Board-Layout Diagram

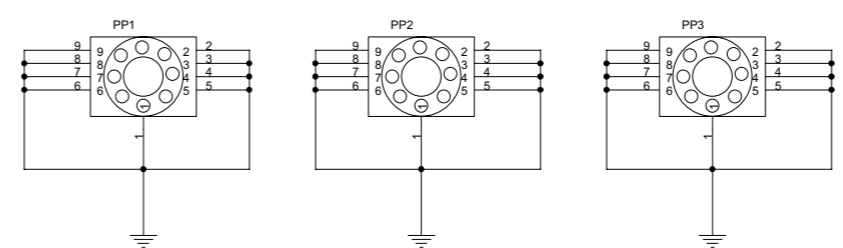


Decoder Board -- Circuit Diagram

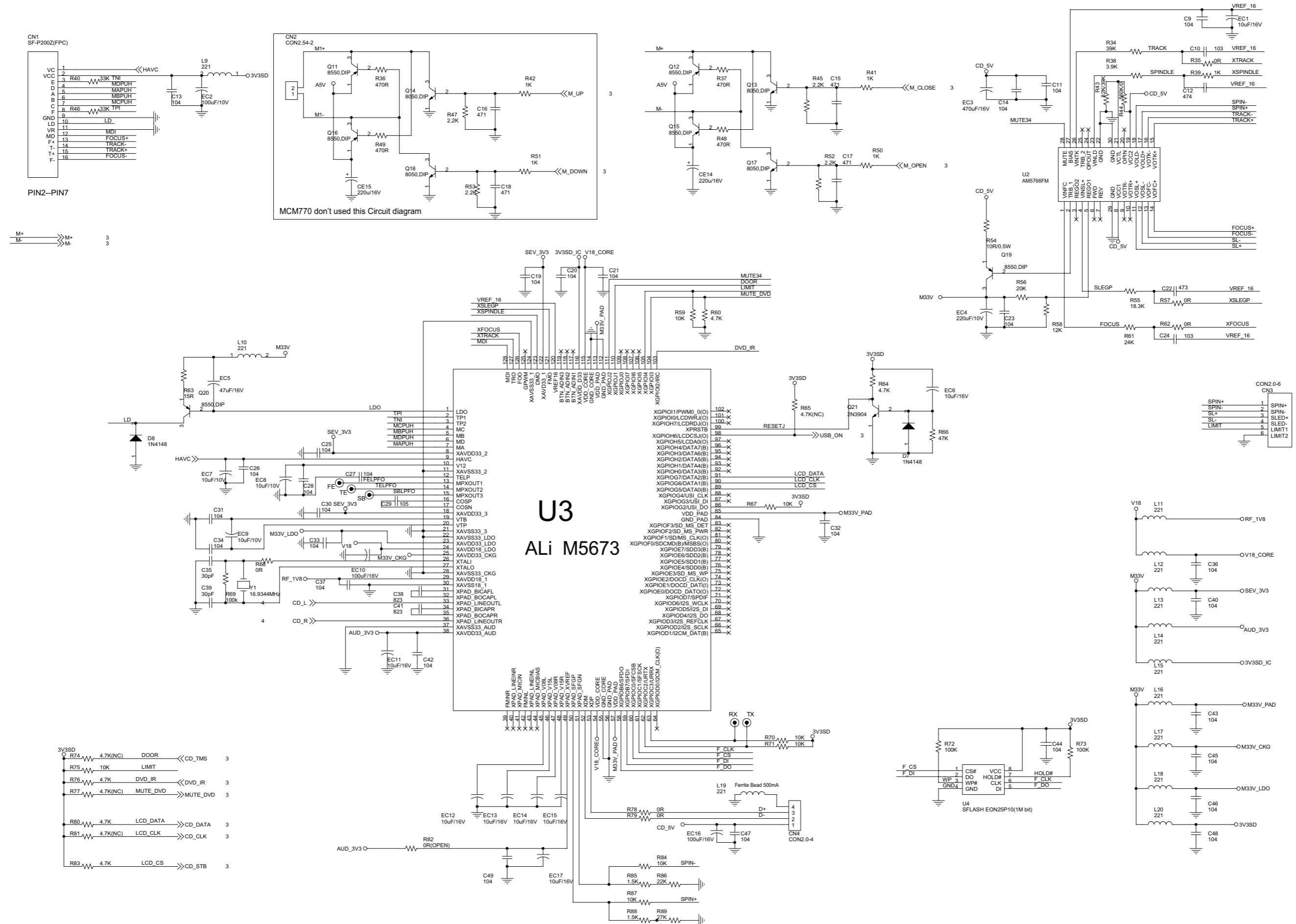


	R1	R2	R3	R4	R5	R121	CE1	CE2	Q1
FM	D	NC	NC	NC	NC	NC	NC	NC	NC
DAB	NC	47K	1K	4.7K	22K	100R	100uF	10uF	AMP2301

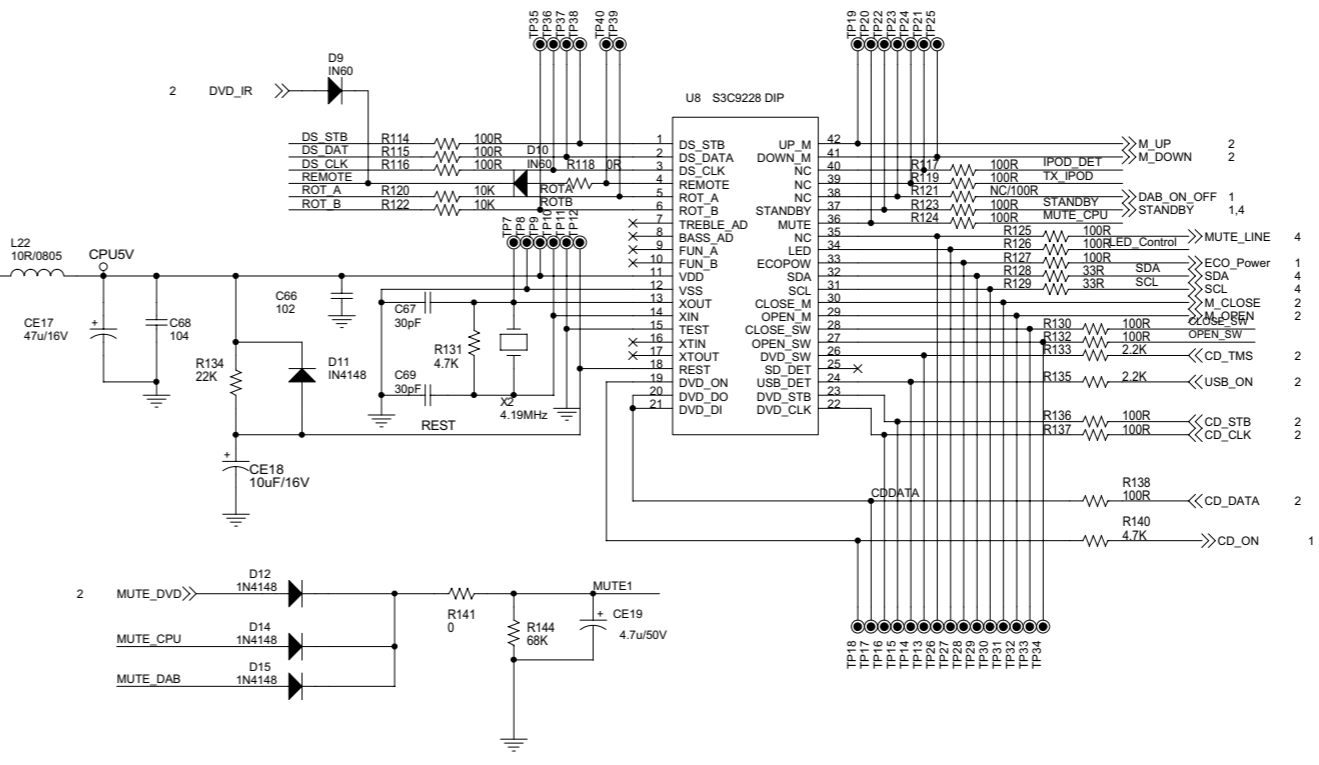
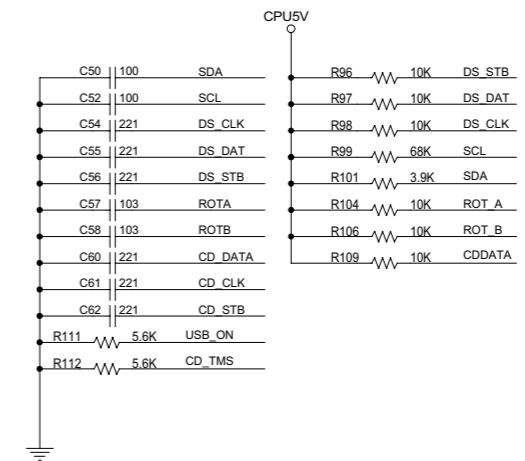
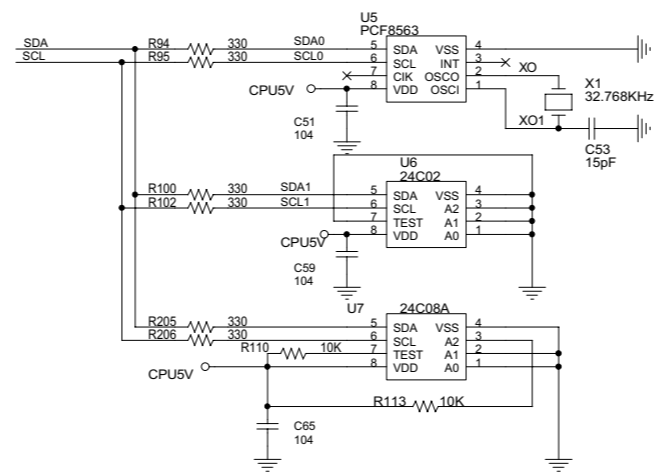
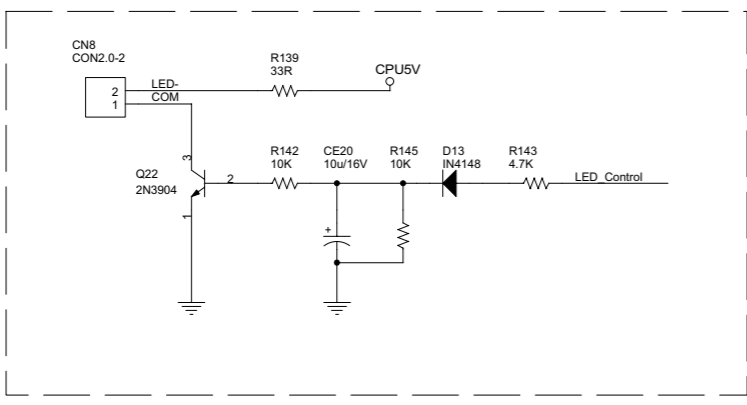
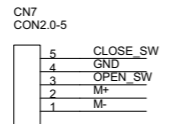
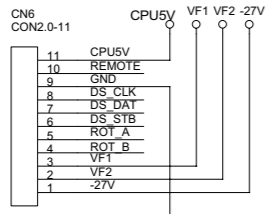
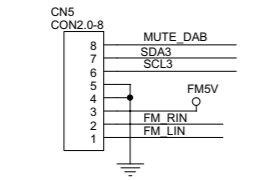
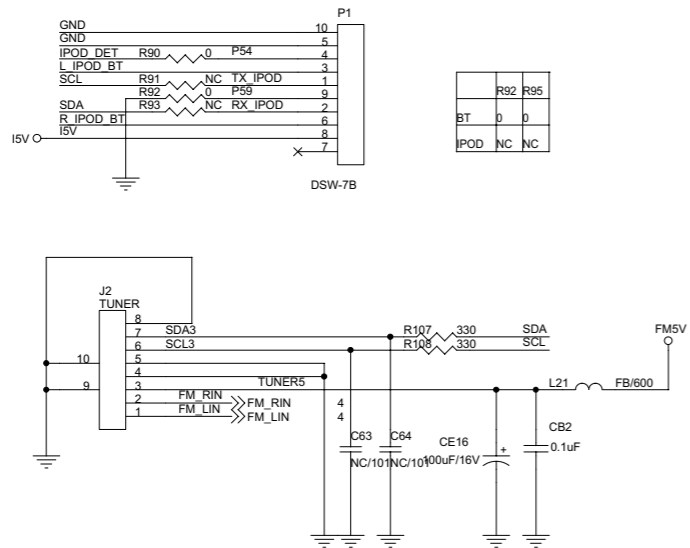
- MK1
- MK2
- MK3
- MK4
- MK5
- MK6



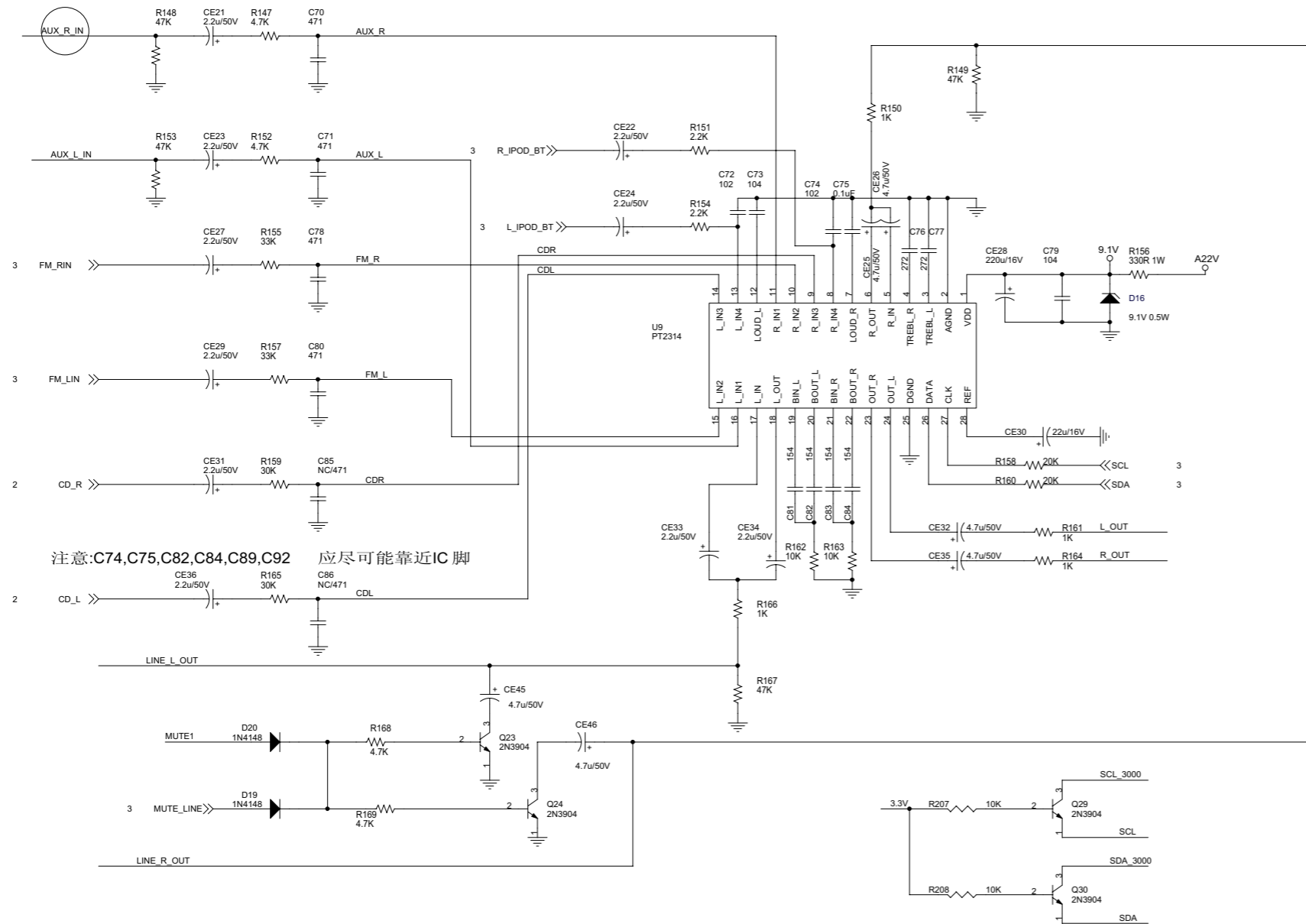
Decoder Board -- Circuit Diagram



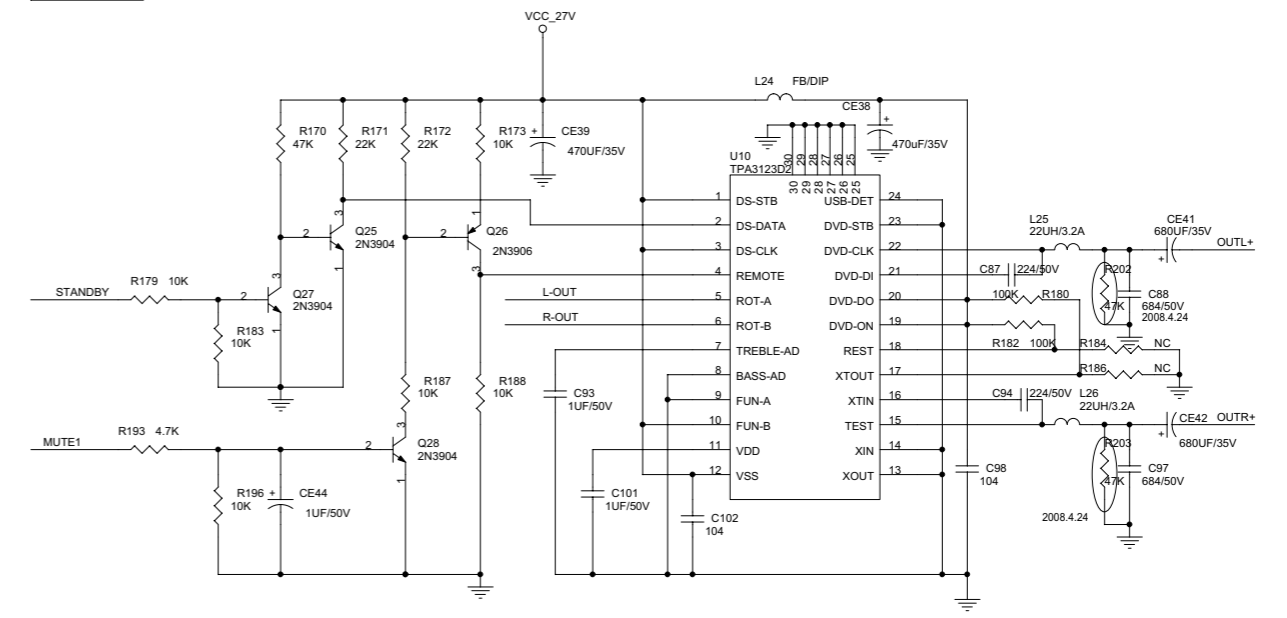
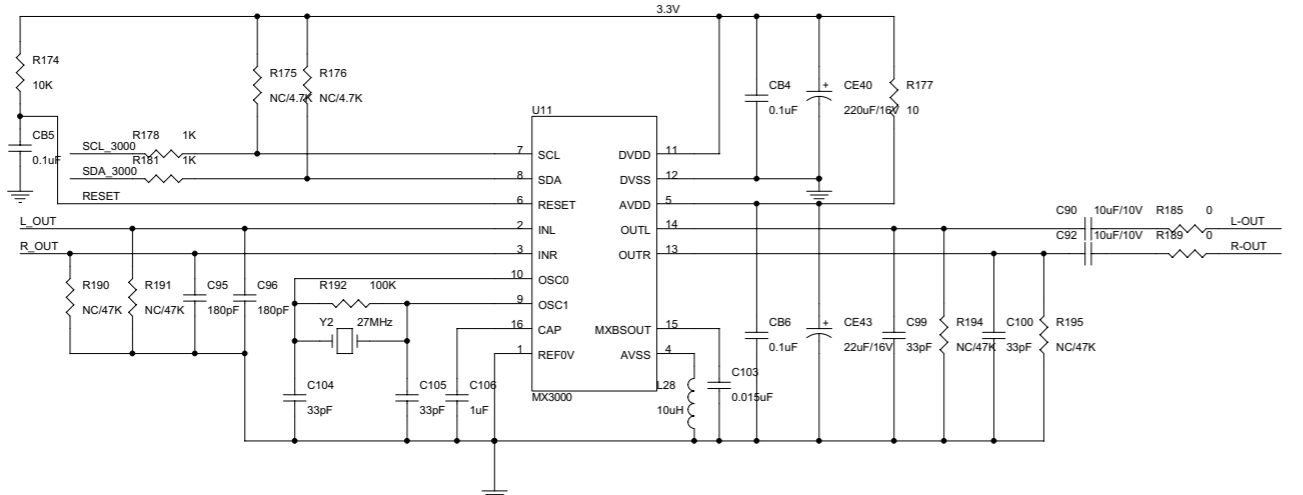
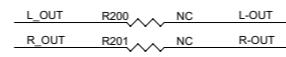
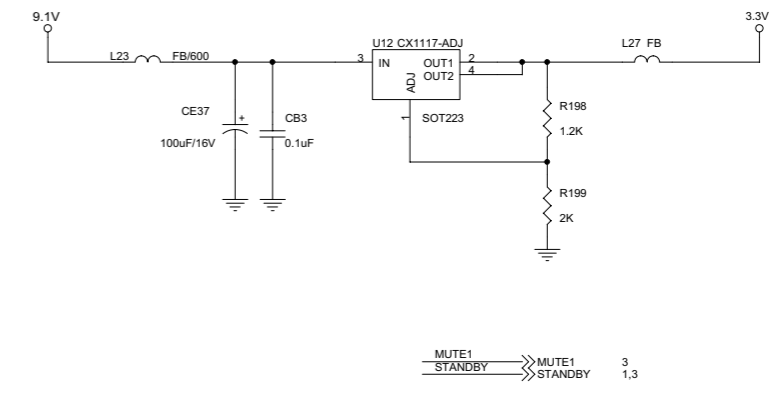
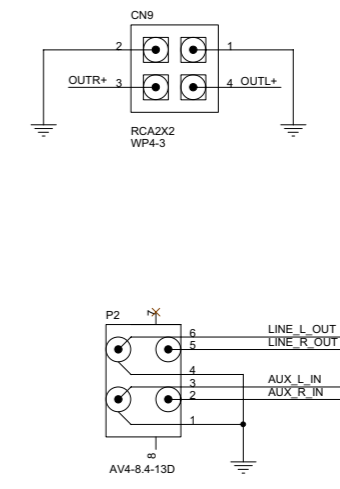
Decoder Board -- Circuit Diagram



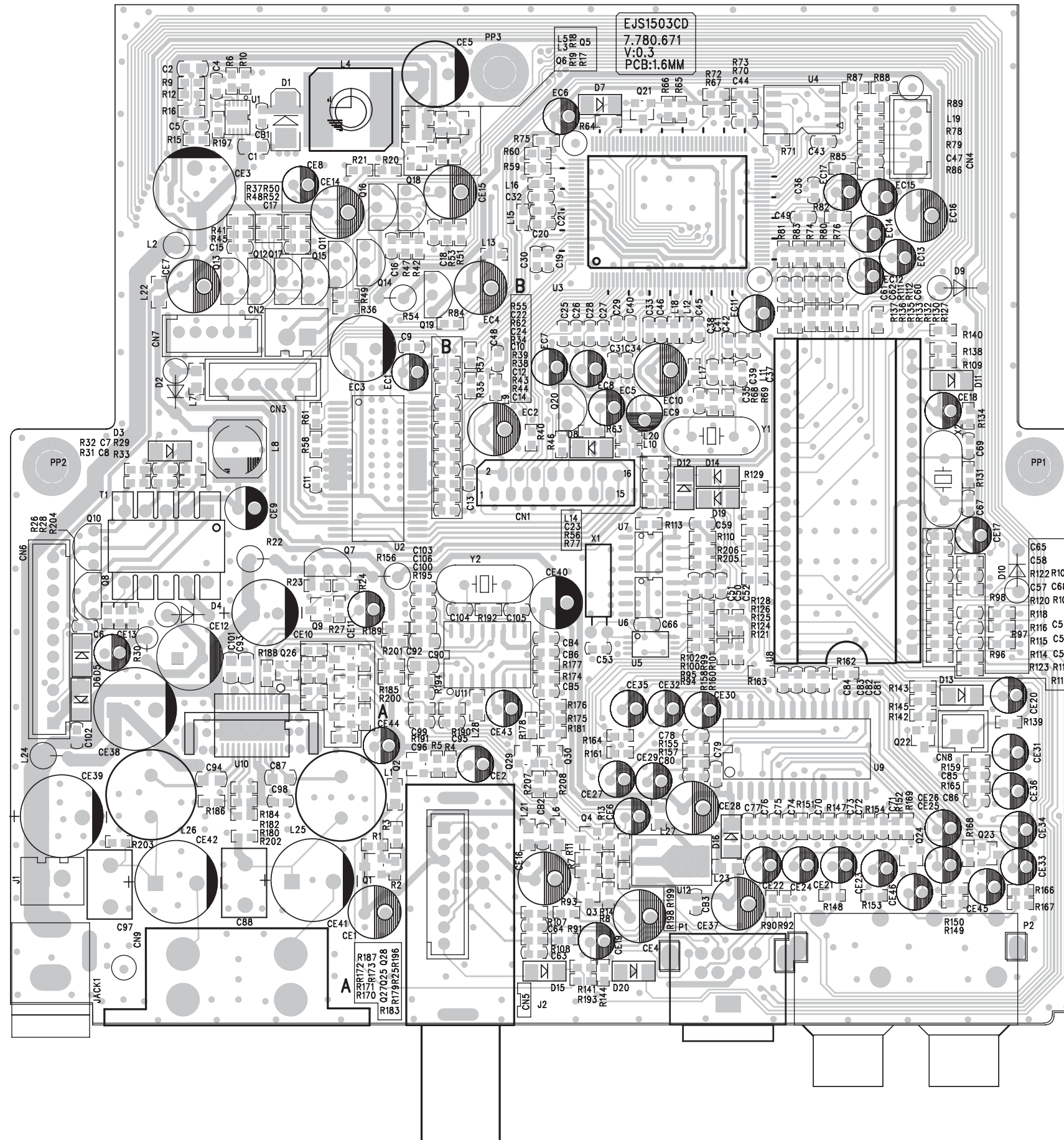
Decoder Board -- Circuit Diagram



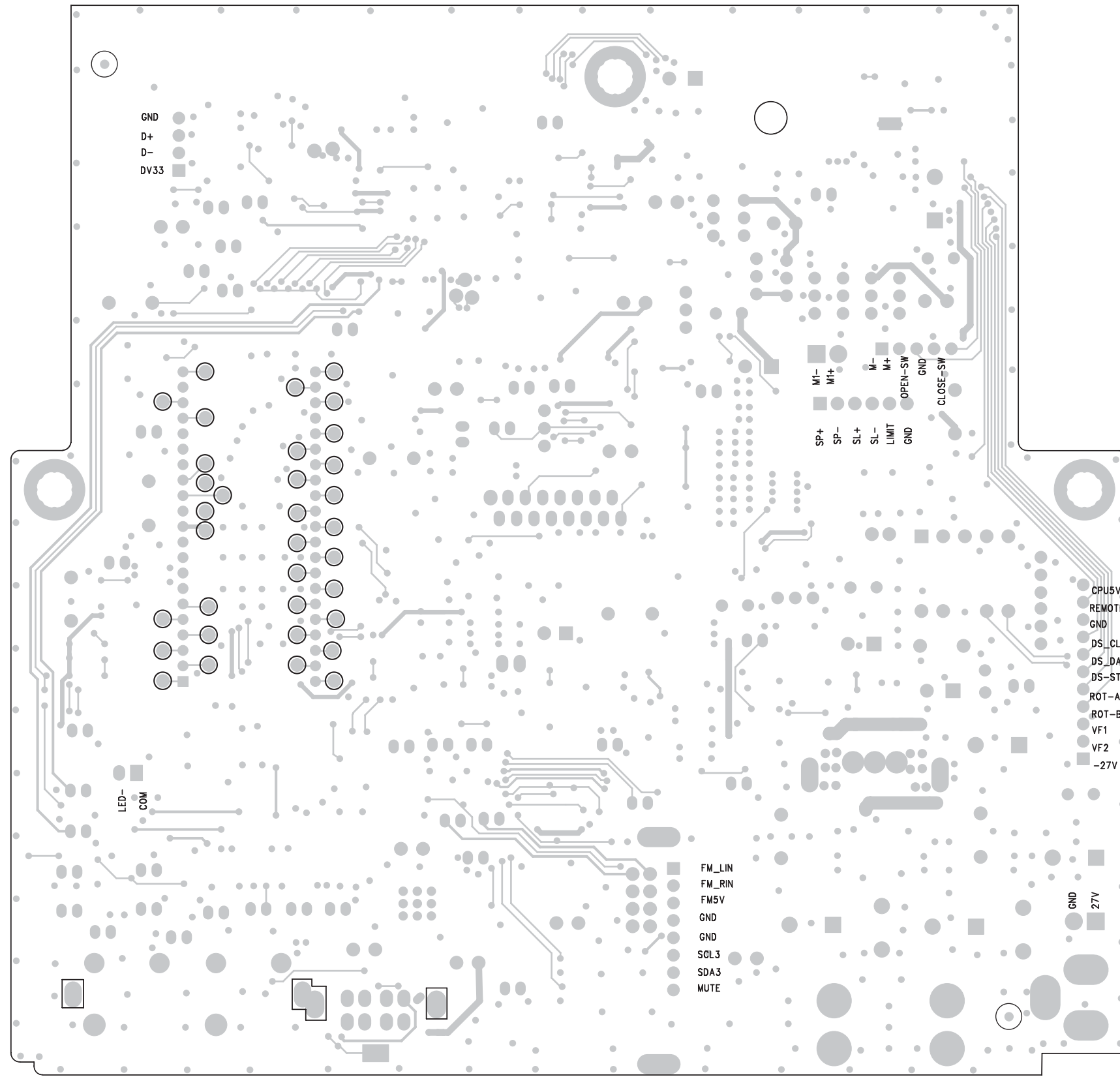
注意:C74,C75,C82,C84,C89,C92 应尽可能靠近IC脚



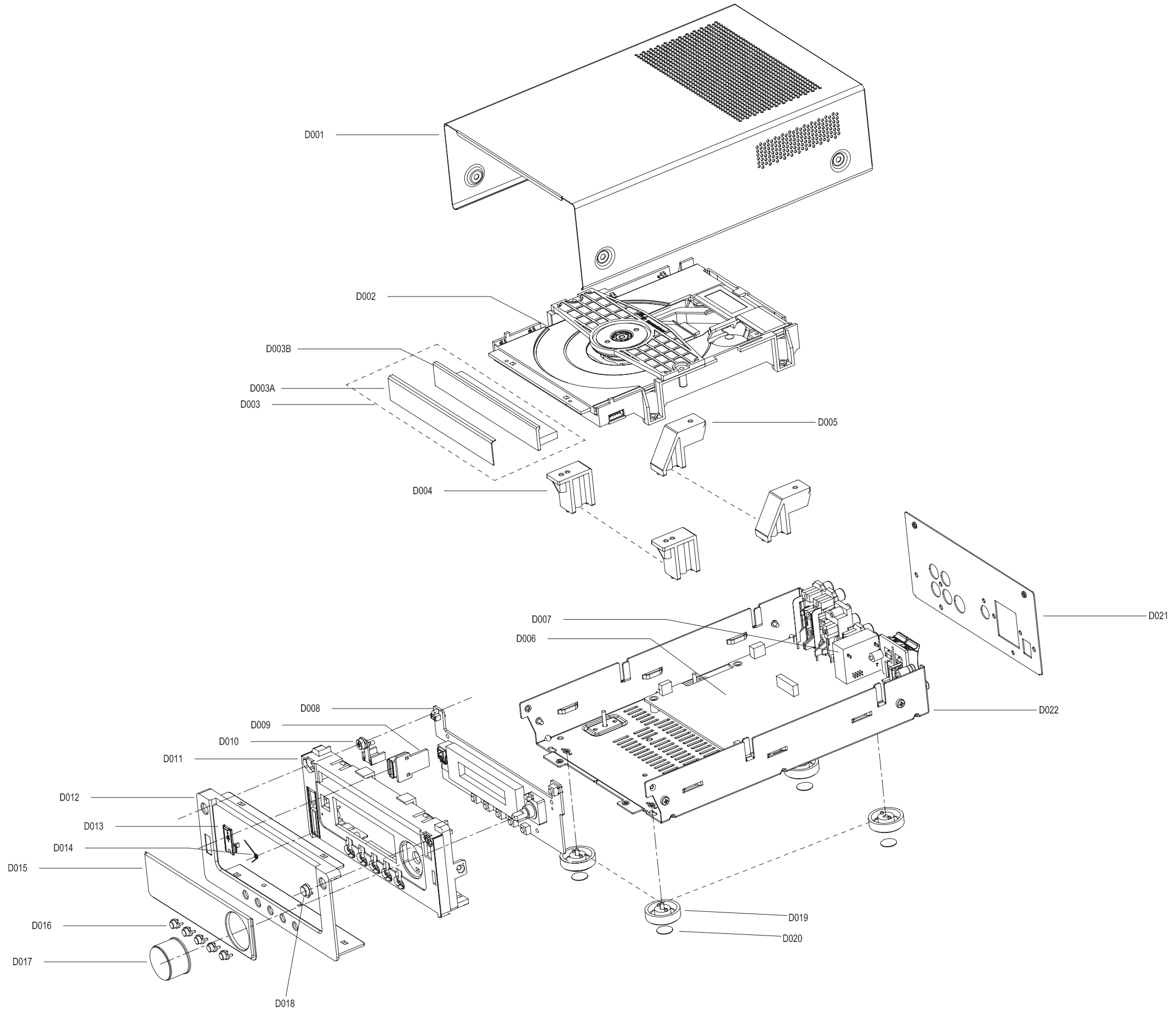
Decoder Board -- Layout Diagram - Top



Decoder Board -- Layout Diagram - Bottom



EXPLODE VIEW



ACCESSORIES PARTS LIST

996510018452	MCM770/12 MAIN BRACKET ASSY
996510018453	SINGLE SPEAKER BOX ASSY-L
996510018454	SINGLE SPEAKER BOX ASSY-R
996510018455	PRC500-49 REMOTE CONTROL
994000004988	AC LINE CORD 1.8M
996500041018	FM ANTENNA WIRE 1.5m
996510015780	AC SWITCHING ADAPTER 27V 2.5A

MECHANICAL&MISCELLANEOUS PARTS

1A	996510018450	FLAT FLEXIBLE CABLE 16PX120
D004	996510018448	MCD770 FRONT CD BRACKET
D005	996510018449	MCD770 BACK CD BRACKET
D013	996510015411	USB DOOR ABS SILVER
D015	996510018447	MCM770 DVD DISPLAY LENS
D019	996510015779	PLASTIC FOOT
D020	996520033990	RUBBER PAD
D002	996510010504	MECHANISM ASSY
D003	996510015409	DVD DOOR ASSY
D006	996510018446	MCM770/12DECODER+MCU PARTS
D009	996510018445	MCM770/12 USB BOARD ASSY
D010	996510015406	STANDBY BUTTON PARTS
D011	996510015773	DVD PLASTIC CABINET ASSY
D017	996510015414	VOLUME KNOB PARTS
D001	996510021719	MCD770 DVD ALUMINIUM TOP COVER

ELECTRICAL PARTS - DISPLAY PCB

300	996500041645	ROT ENCODER
IC701	996510000500	IC PT6311/SC16311/CD16311
S701	994000004961	IR SENSOR BLACK
S701	996510018444	MCD770 IR RECEIVER BRACKET
SW802	996520033923	TACT SWITCH TS-1307-01 6X6X5
SW803	996520033923	TACT SWITCH TS-1307-01 6X6X5
SW804	996520033926	TACT SWITCH HCT-1106W 6X3X4.3
SW805	996520033923	TACT SWITCH TS-1307-01 6X6X5
SW806	996520033923	TACT SWITCH TS-1307-01 6X6X5
SW807	996520033923	TACT SWITCH TS-1307-01 6X6X5
SW809	996520033923	TACT SWITCH TS-1307-01 6X6X5
VFD701	996520033924	VFD DISPLAY NE-770D-1.GB

Note: Only these parts mentioned in the list are normal service parts.

Factory Parts List

Location NO.	12NC	Description
		MCM770/12 MAIN UNIT PARTS ASS'Y
D008		MCM770/12 DISPLAY BOARD ASS'Y
R729		CARBON FILM RESISTOR 10K 1/8W J-52
R731		CARBON FILM RESISTOR 10K 1/8W J-52
R733		CARBON FILM RESISTOR 10K 1/8W J-52
R734		CARBON FILM RESISTOR 10K 1/8W J-52
R701		CARBON FILM RESISTOR 10 1/2W J-52
R702		CARBON FILM RESISTOR 10 1/2W J-52
R725		CARBON FILM RESISTOR 33K 1/8W J-52
R726		CARBON FILM RESISTOR 33K 1/8W J-52
R727		CARBON FILM RESISTOR 33K 1/8W J-52
R728		CARBON FILM RESISTOR 33K 1/8W J-52
R730		CARBON FILM RESISTOR 4.7K 1/8W J-52
R732		CARBON FILM RESISTOR 47K 1/8W J-52
C709		ELECTROLYTIC CAP.47u 16V L-5 5X5
D701		DIODE 4148-52
D702		DIODE 4148-52
D703		DIODE 4148-52
LED701		LED Φ 2 2B4THC-UR101 3.1~3.5V0.18mA
IC701		IC PT6311/SC16311/CD16311
S701		IR SENSOR SMALL BLACK
SW802		TACT SWITCH TS-1307-01 6X6X5
SW803		TACT SWITCH TS-1307-01 6X6X5
SW805		TACT SWITCH TS-1307-01 6X6X5
SW807		TACT SWITCH TS-1307-01 6X6X5
SW809		TACT SWITCH TS-1307-01 6X6X5
SW806		TACT SWITCH TS-1307-01 6X6X5
SW804		TACT SWITCH HCT-1106W 6X3X4.3
VFD701		VFD DISPLAY NE-770D-1.GB
EN300		CODER(ED-1612-00-F15 40-80G) VFD DISPLAY PCB 35-MCD770-01A1 MCD770 IR RECEIVER BRACKET(ABS) NE1503LED LAMP BRACKET ABS BLACK 28 WIRE 240 2.0/11PX1 2.0/11PX1 BLACK SPONGE 20X20X2 40°
LAMP		
D009		MCM770/12 USB BOARD ASS'Y
J1401		USB JACK A-TYPE 4P FEMALE 90 DIP TYPE USB PCB 35-MCD770-02A1 26SHIELDING 200 2.0/4PX1 2.0/4PX1
D002		DA11 MECHANISM ASS'Y CD MECHANISM (SANYO DA11VZ) VCD MECHANISM BRACKET RT-656YV SCREW 2.6 X10 PWBB (Φ 10) (PLATING)
D006		MCM770/12 DECODER+MCU PARTS ASS'Y CPU U252(S3C9228 XYZ-CAN CHANGE) DVD DECODER EJS1503CDMP3 108/5766
		MCM770/12 DECODER+MCU SOFTWARE MCM770/12 CPU SOFTWARE MCM770/12 DECODER SOFTWARE
D017		MCD770 ALUMINIUM VOLUME KNOB MCD770 VOLUME KNOB COVER(SILVER) MCD770 VOLUME KNOB CORE(ABS)
D010		MCD770 STANDBY BUTTON PARTS MCD770 STANDBY BUTTON(ABS) MCD770 STANDBY BUTTON BRACKET(ABS)
D011		MCD770 DVD PLASTIC CABINET ASS'Y

Factory Parts List

Location NO.	12NC	Description
D014		MCD770 USB SPRING $\Phi 0.4$
D011A		MCD770 DVD PLASTIC FRONT CABINET(HIPS)
D016		MCD770 FUNCTION BUTTON
D018		MCD770 OPEN/CLOSE BUTTON(PLATE)
D003		MCD770 DVD DOOR PARTS(BLACK)
D003C		SCUTCHEON PHILIPS 22X4.03
D003A		MCD770 DVD DOOR ALUMINIUM PIECE(BLACK)
D003B		MCD770 DVD DOOR BRACKET(ABS)
		MCM770/12 MAIN CASING PARTS ASS'Y
D012		MCD770 DVD ALUMINUM PANEL(SILVER)
D022		MCD770 DVD METAL BOTTOM CHASSIS
D001		MCD770 DVD ALUMINIUM TOP COVER
		MCM770 MATAL PLATE 109X49X3
D021		MCM770 CD BACK METAL PLATE
D015		MCD770 DVD DISPLAY LENS
D013		MCD770 USB DOOR(ABS)
D004		MCD770 CD MECHANISM BRACKET(HIPS)
D005		MCD770 CD MECHANISM BRACKET(HIPS)
D019		MCD770 PLASTIC FOOT(HIPS)
D020		MCD770 RUBBER FOOT($\Phi 12 \times 1.5$ BLACK)
		SCREW 3 X 5 FMTT (PLATING)
		SCREW 2.6 X 8 PA (PLATING)
		SCREW 3 X 5 BMTT (PLATING)
		PHILIPS TORX T-10 1.5P 3.0X10.0 AB3
		TORX STTP T-10 3.0X6.0 AB3
		SCREW 3 X 5 BM (PLATING)
		SCREW 3 X 10 BA (PLATING)
		SCREW 3 X 10 PWA (PLATING)
		SCREW 3 X 15 BMTT
		TORX T-10 STTT 3.0X6.0 NI
		TORX T-10 STTB 3.0X6.0 NI
		FLAT FLEXIBLE CABLE 16PX120X1.0XA
		26WIRE 120 2.0/6PX2
		28WIRE 220 2.0/5PX2
		MCM770/12 SPEAKER BOX ASS'Y(L)
		MCM770 FREQUENCY DIVIDER ASS'Y
C1		NON-POLARITG ELEC.CAP.3.3u 100V M SNP
C2		NON-POLARITG ELEC.CAP.4.7u 100V K SNP
L2		HOLLOW INDUCTOR 0.3mH
L1		SILICON INDUCTOR 0.62mH
		FREQUENCY DIVIDER PCB 35-MCM770-08A1
		CABLE TIE 150
		22 SINGLE WIRE 150 BLACK
		22 SINGLE WIRE 150 RED
		MCM770/12 SPEAEKR BOX ASS'Y(L)
		PHILIPS SCUTCHEON 20.3X4.2X1.5 SILVER
		MCD772 GRILLE ABS+10%
		NON-POLARITG ELEC.CAP.2.2u 50V M SBP5X11
		SPEAKER SOCKET DDJ-270DH-03 56X56
		ANTIMAGNETIC WOOFER 3 1/2"4 Ω 50W
		TWEETER $\Phi 20$ 4 Ω 5W
		MCD700 GRILL FIXER $\phi 3 \times 11$
		MCD770 ALUMIMIUM TWEETER CIRCLE
		MCD772 ALUMIMIUM WOOFER CIRCLE
		AIR CHIMNEY(DH-2191 $\Phi 34 \times 77$)

Factory Parts List

Location NO.	12NC	Description
FOOT		MCD770 TWEETER BRACKET HIPS BLACK RUBBER FOOT(Φ12X8X7 BLACK) MCD700 GRILLE FIXER RUBBER(Φ6X6BLACK) ABSORB SPONGE 140X140X10 MCD772 WOODEN BOX 204X128X176 MCD770/12 SPEAKER BOX LABEL 34X20 PHILIPS TORX T-10 1.5P 3.0X10.0 AB3 SCREW 2.6 X 8 BA BLACK SCREW 3 X 16 HA (PLATING) PLASTIC BAG(PE) 40X32cm PHILIPS STENCIL PAPER 62X35cm
		MCM770/12 SPEAKER BOX ASS'Y(R) MCM770 FREQUENCY DIVIDER ASS'Y
C1		NON-POLARITG ELEC.CAP.3.3u 100V M SNP
C2		NON-POLARITG ELEC.CAP.4.7u 100V K SNP
L2		HOLLOW INDUCTOR 0.3mH
L1		SILICON INDUCTOR 0.62mH FREQUENCY DIVIDER PCB 35-MCM770-08A1 CABLE TIE 150 22 SINGLE WIRE 150 BLACK 22 SINGLE WIRE 150 RED
		MCM770/12 SPEAKER BOX ASS'Y(R)
		PHILIPS SCUTCHEON 20.3X4.2X1.5 SILVER MCD772 GRILLE ABS+10% NON-POLARITG ELEC.CAP.2.2u 50V M SBP5X11 SPEAKER SOCKET DDJ-270DH-03 56X56 ANTIMAGNETIC WOOFER 3 1/2"4Ω50W TWEETER Φ20 4Ω5W MCD700 GRILL FIXER φ3X11 MCD770 ALUMIMIUM TWEETER CIRCLE MCD772 ALUMIMIUM WOOFER CIRCLE AIR CHIMNEY(DH-2191 Φ34X77) MCD770 TWEETER BRACKET HIPS BLACK RUBBER FOOT(Φ12X8X7 BLACK) MCD700 GRILLE FIXER RUBBER(Φ6X6BLACK) ABSORB SPONGE 140X140X10 MCD772 WOODEN BOX 204X128X176 MCD770/12 SPEAKER BOX LABEL 34X20 PHILIPS TORX T-10 1.5P 3.0X10.0 AB3 SCREW 2.6 X 8 BA BLACK SCREW 3 X 16 HA (PLATING) PLASTIC BAG(PE) 40X32cm PHILIPS STENCIL PAPER 62X35cm
FOOT		
		PRC500-49 REMOTE CONTROL ASS'Y MCM770/12 PRC500-05A REMOTE CONTROL BOARD ASS'Y
R1		CHIP RESISTOR 0 1/16W J (0805)
R2		CHIP RESISTOR 680 1/16W J (0805)
C1		ELECTROLYTIC CAP.47u 10V L 4X7
D1		INFRARED-EMITTING DIODE Φ3
Q1		CHIP TRANSISTOR BC817-25(SOT23)
U1		IC TM58PR11S18C REMOTE CONTROL PCB PRC500-A 139X40X1.6 PRC500-05 SOFTWARE A(V1.0) PRC500-49 REMOTE CONTROL CASING PART ASS

Factory Parts List

Location NO.	12NC	Description
		BUTTON BATTERIES 3V CR2025
		CONDUCTIVE RUBBER PRC500-49
		REMOTE SPRING SHEET PCR500
		REMOTE SPRING PCR500 Φ 0.6
		IRON BLOCK PCR500 35X26.6X4
		PRC500 REMOTE CONTROL TOP CABINET
		PRC500 REMOTE BOTTOM CHASSIS ABS10894
		PRC500 REMOTE CONTROL BATTERY COVER
		PRC500 REMOTE CONTROL LENS PC
		PRC500 PLATE RING ABS
		INSULATION PAPER 32X24X0.15
		PRC500-49 REMOTE CONTROL LABEL MCM770
		PLASTIC BAG(PE) 20X6cm
		ADD-ONS INSTRUCTION LABEL PH 38X18
		MCM770/12 ACCESSORY PARTS ASS'Y
		? POWER CORD 1.8m VDE APPROVAL
		RCA JACK FM SINGLE WIRE 1.5m
		SPEAKER WIRE 3m
		WARRANTY CARD(PH 9965 100 15858)
		MCM770/12 QUICK START GUIDE En/F
		MCM770/12 QUICK START GUIDE Es/G
		MCM770/12 QUICK START GUIDE Ho/lt
		MCM770/12 INSTRUCTION MANUAL -A
		MCM770/12 INSTRUCTION MANUAL -B
		AC SWITCHING ADAPTER TP60S2725
		MCM770/12 PACKING PARTS ASS'Y
		MCM770 POLYFOAM
		PLASTIC BAG(PE) 45X25cm PHILIPS
		PLASTIC BAG(PE) 25X10cm
		PLASTIC BAG(PE) 29X18cm PHILIPS
		PASSED LABEL Φ 13
		LASER WARNING LABEL PH Φ 15 BLACK
		MCM770/12 GIFT BOX
		MCM770/12 GIFT BOX LABEL 91X111
		MCM770/12 DVD UNIT MAIN LABEL 52X30
		MCM770/12 POS BILLBOARD
		VIGYAZAT LABEL PH 56X15
		CHRANTE LABEL PH 59X12
		UWAGALABEL PH 36X12
		POZOR LABEL PH 36X12
		MCM770/12 MAINFRAME GLASS BRACKET PARTS
		PERSPEX BRACKET 253X169X6 HPILIPS 877C
		MCD705 BRACKET FOOT SILVER ABS
		MCD705 BRACKET FOOT COVER SILVER ABS
		MCD705 RUBBER-FOOT Φ 4X6
		SCREW 5.8X16FA (PLATING)
		PLASTIC BAG(PE) 33X22cm